

A close-up photograph of a surgical procedure using a Thompson Retractor. The device consists of blue plastic blocks and metal clamps that hold back muscle and soft tissue, providing a clear view of the spinal canal. A metal rod is visible within the surgical field. The background shows the patient's skin and the sterile surgical environment.

Thompson Retractor 
Uncompromised Exposure™

SPINE CATALOG

Cervical - Anterior Lumbar - Posterior Lumbar

Photo courtesy Matthew Cyrillac, MD, MBA

Thompson Surgical Instruments, Inc. is the market leader in surgical retraction and the original manufacturer of the table mounted retractor.

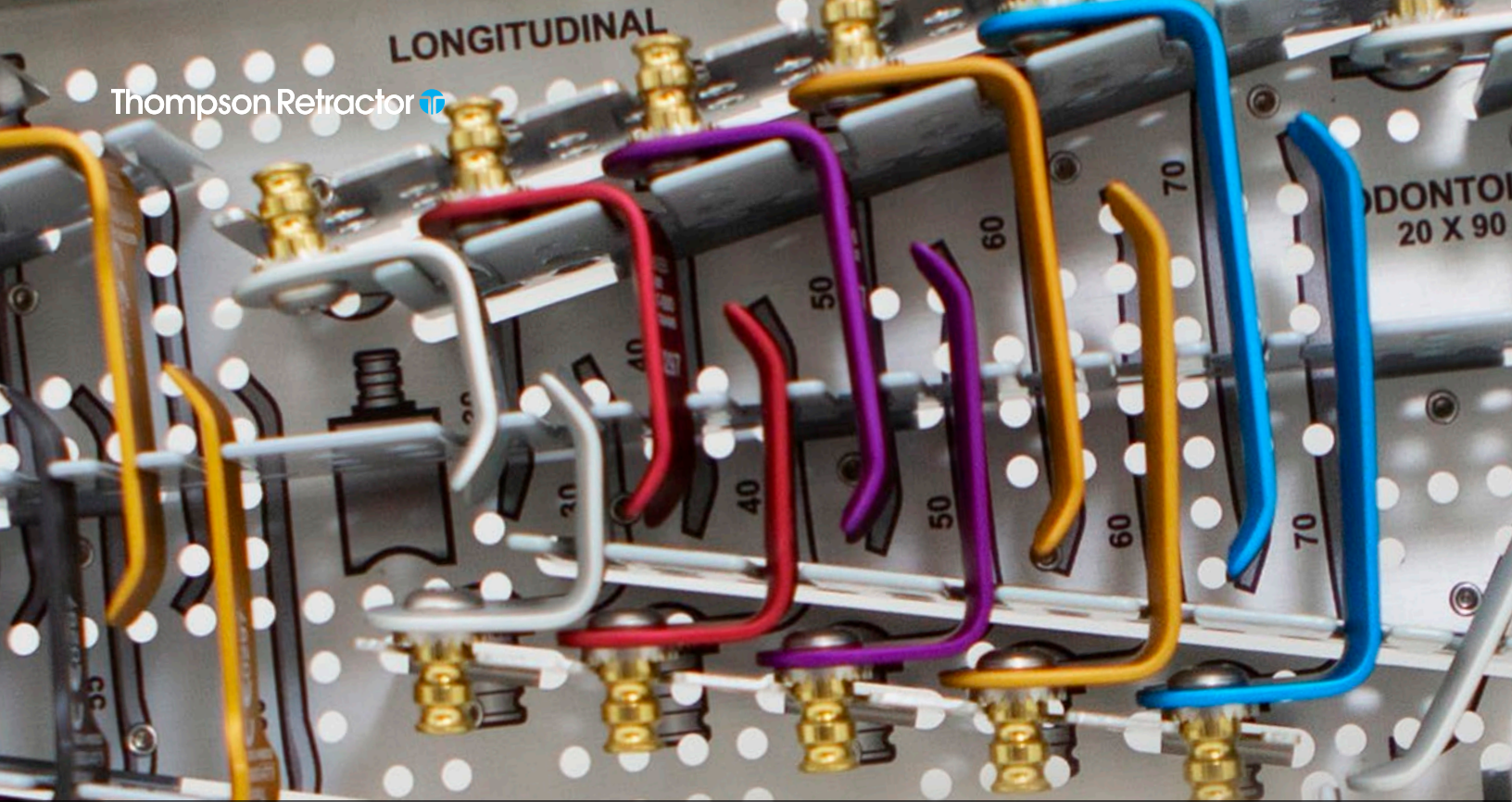
Thompson is dedicated to offering the most forward thinking, proven, and high quality features as a part of our spine retractor line. These exclusive, often patented, features define Thompson and allow for Uncompromised Exposure.

We understand the value of exposure in successful surgery and are dedicated to providing innovative, high quality retractor systems that deliver safe, versatile, low-profile retraction.

SPINE CATALOG

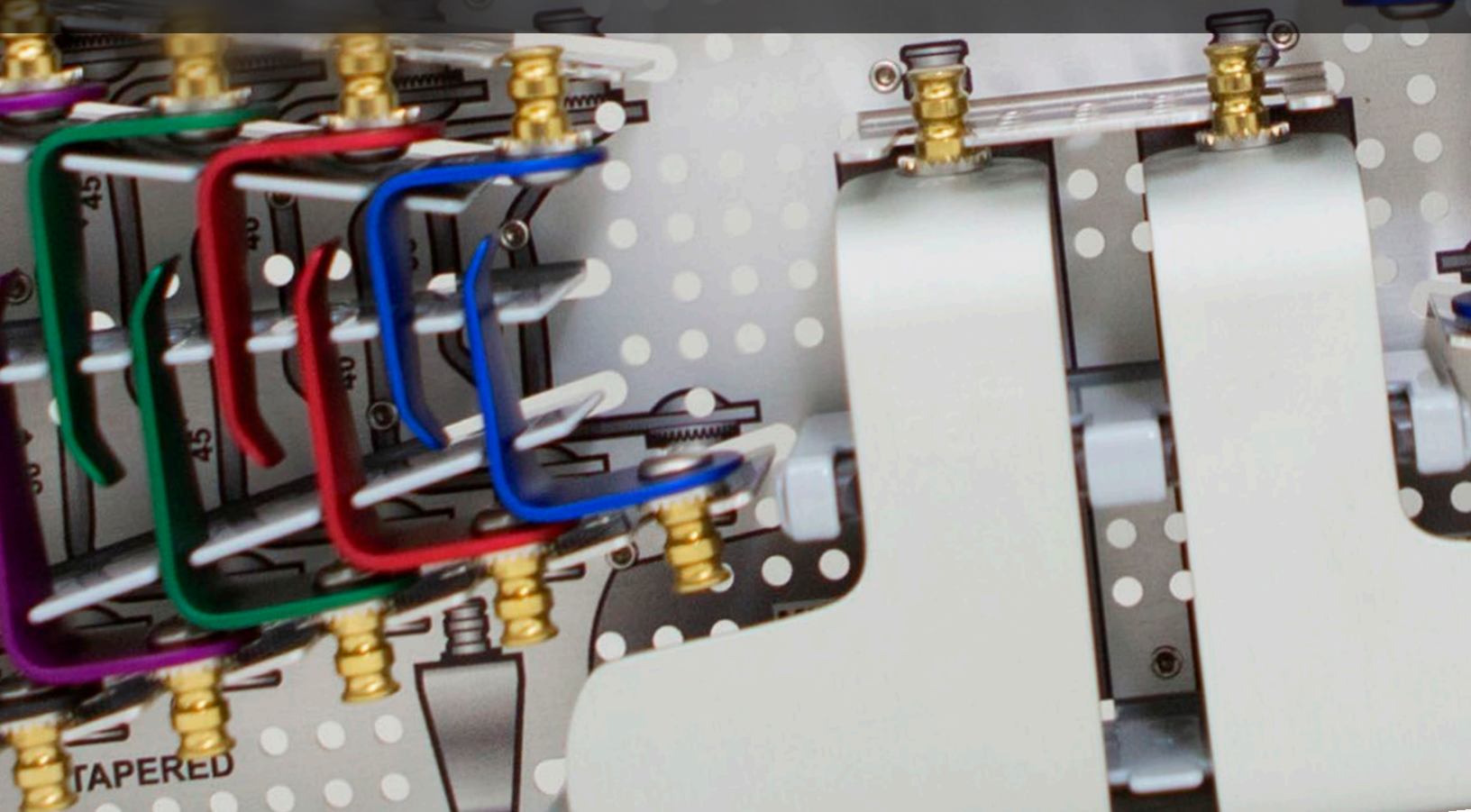
Contents

Cervical.....	4-17
Anterior Lumbar.....	18-39
Posterior Lumbar	40-55
System Frame Components + Accessories	56-67
Product Index	68-74



"I prefer the Thompson Retractor because it reduces dysphagia by reducing tissue damage"

- Michael G. Fehlings, MD, PHD, FRCSC, FACS, FRSC



CERVICAL

Cervical System

Exclusive Features	6-7
Suggested Set Ups	8-9
System Components	10-11
Blades	12-15
Illumination	16
Accessories + Instrument Cases	17

Cervical Spine Access

Central, Stable Exposure

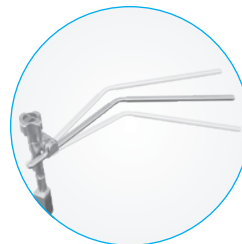
The Thompson Retractor for cervical spine access offers secure, table mounted solutions which drastically minimize shifting/rise up associated with traditional rack-based self-retaining retractors. Independent retraction and blade positioning eliminates the need for excess retraction required by self-retaining retractors to stay in place. Thompson's Cervical System provides independent, safe retraction of the esophagus, trachea, and nerves, as well as the ability to elevate the longus colli.

"I use the Thompson retractor on every anterior cervical case, even single level procedures. The set up takes me less than 2 minutes and the improved exposure and solid non-mobile retraction provided is phenomenal."

- Vincent Traynelis, MD

Independent Retraction

Frame arms are independently adjusted, providing more control for safe, versatile, low profile retraction.



NEW Faster, Lighter Elite III Rail Clamp

Table mounted frame minimizes retractor shifting. Attaches and adjusts within the sterile field. Weight reduced by 1 pound, and attaches to bedrail in half the time, when compared to previous version.



NEW "Pinch" Joints

Effortlessly remove handles from the frame.



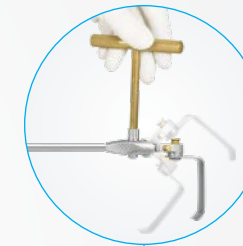
NEW S-Lock® Technology

Easily switch from 'swivel' to 'locked' with the push of a button. Naturally align blades with tissue in the swivel position, or precisely place blades in locked position.



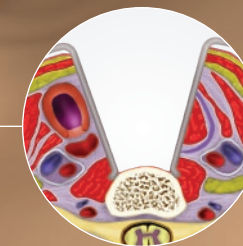
NEW Quick Angle Handles

Blades can be quickly and precisely toed in or out 45° with fingers or T-Handle to help maintain a low-profile operating field and achieve better exposure.



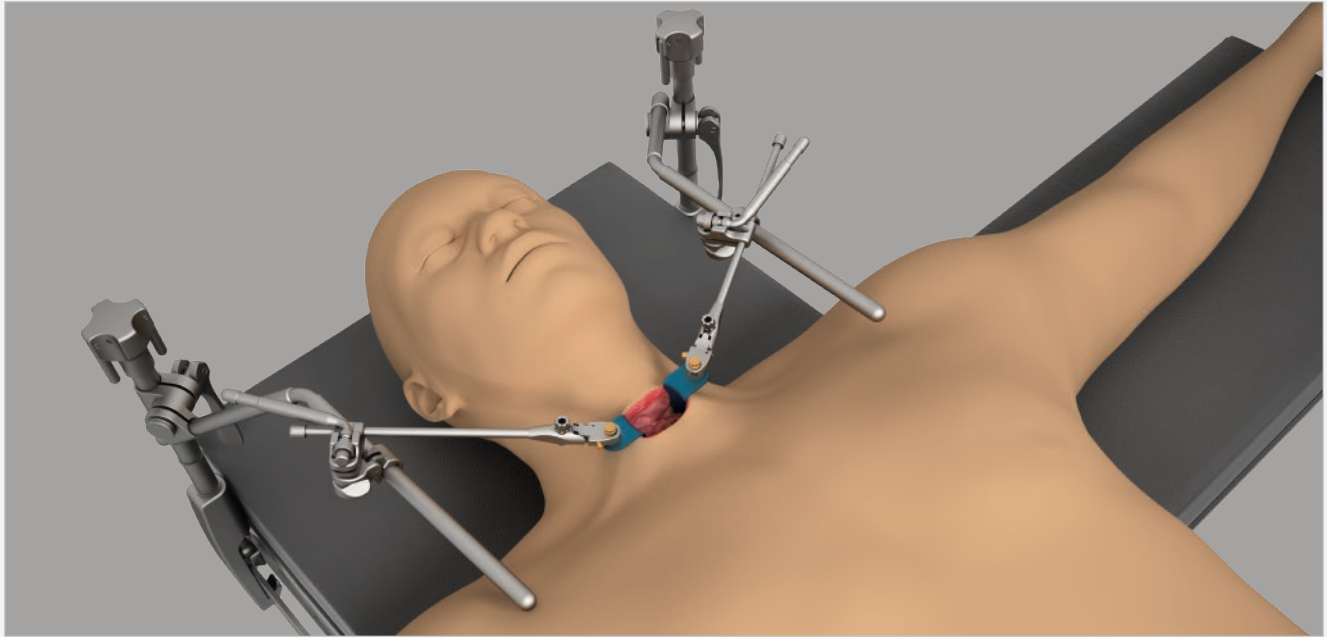
True Central Exposure

Independent blade positioning allows for superior visibility while minimizing retractor migration.



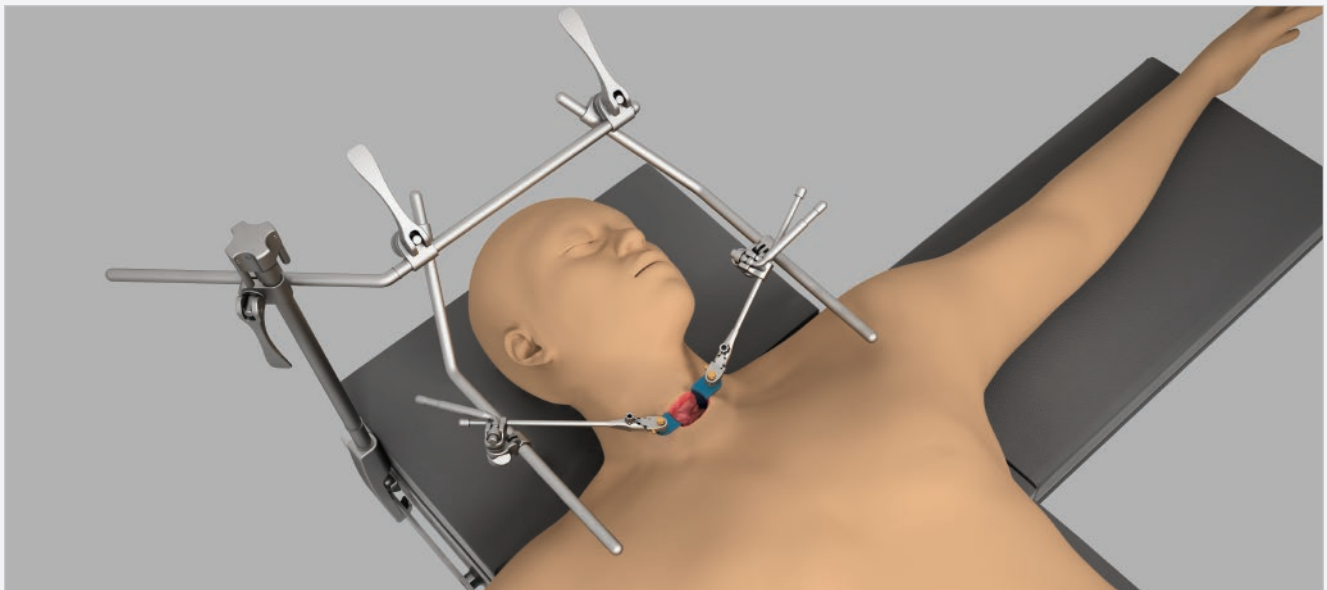
CERVICAL

Cervical Spine Access Standard Suggested Set Ups



Bilateral Cervical Set Up (Two Elite Rail Clamps)

Cervical System #SL82025 shown above.



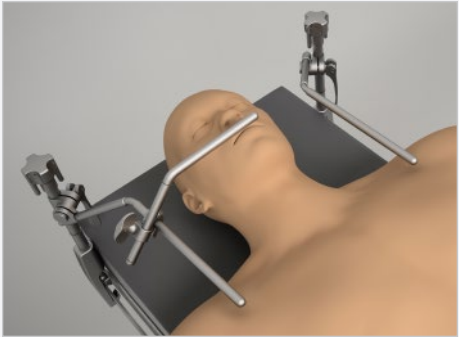
Unilateral Cervical Set Up (One Elite Rail Clamp) *

Unilateral Cervical (shown above) available upon request.

Depending on patient anatomy and number of levels performed, between 2 - 5 retractors may be used with the suggested frame set ups.

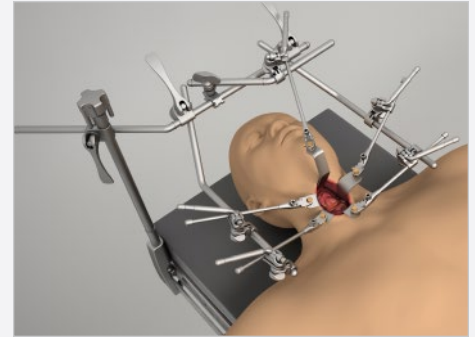
* Recommend placing Elite Rail Clamp on opposite side of surgeon for unilateral set ups.

Cervical Spine Access Alternate Suggested Set Ups

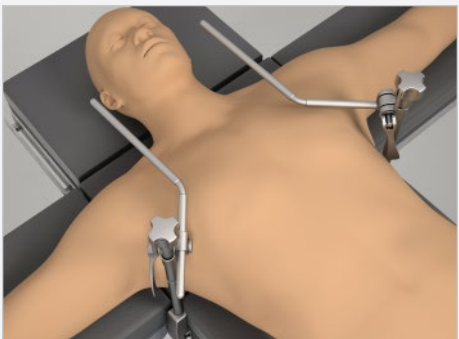


Bilateral

Additional Upward Retraction
Add an Extension Arm to create an extra dimension of retraction.

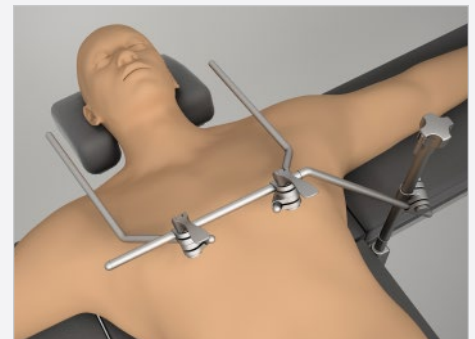


Unilateral*



Bilateral

Reversed
Position the Elite(s) at patient axilla.

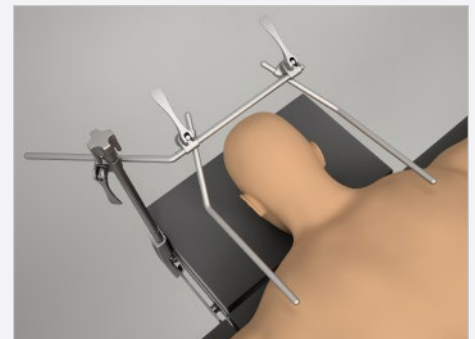


Unilateral*



Bilateral

Posterior Cervical
Frames may also be used for posterior procedures.



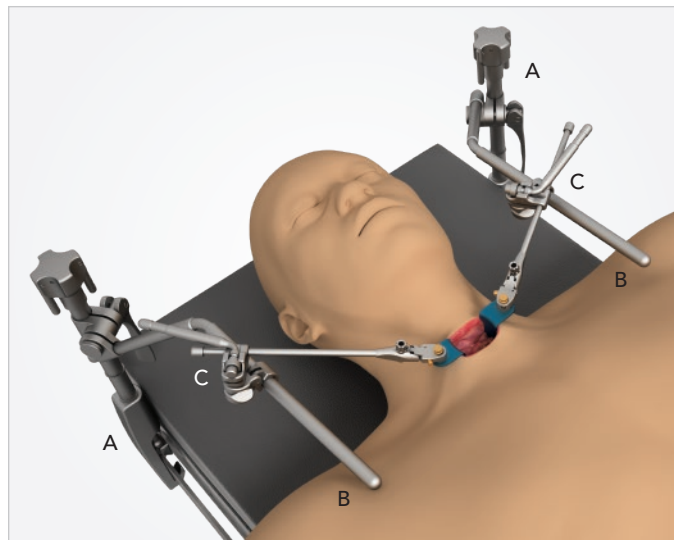
Unilateral*

Depending on patient anatomy and number of levels performed, between 2 - 5 retractors may be used with the suggested frame set ups.

* Recommend placing Elite Rail Clamp on opposite side of surgeon for unilateral set ups.

Cervical System COMPONENTS

Bilateral Cervical Set Up



CERVICAL SYSTEM

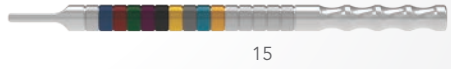
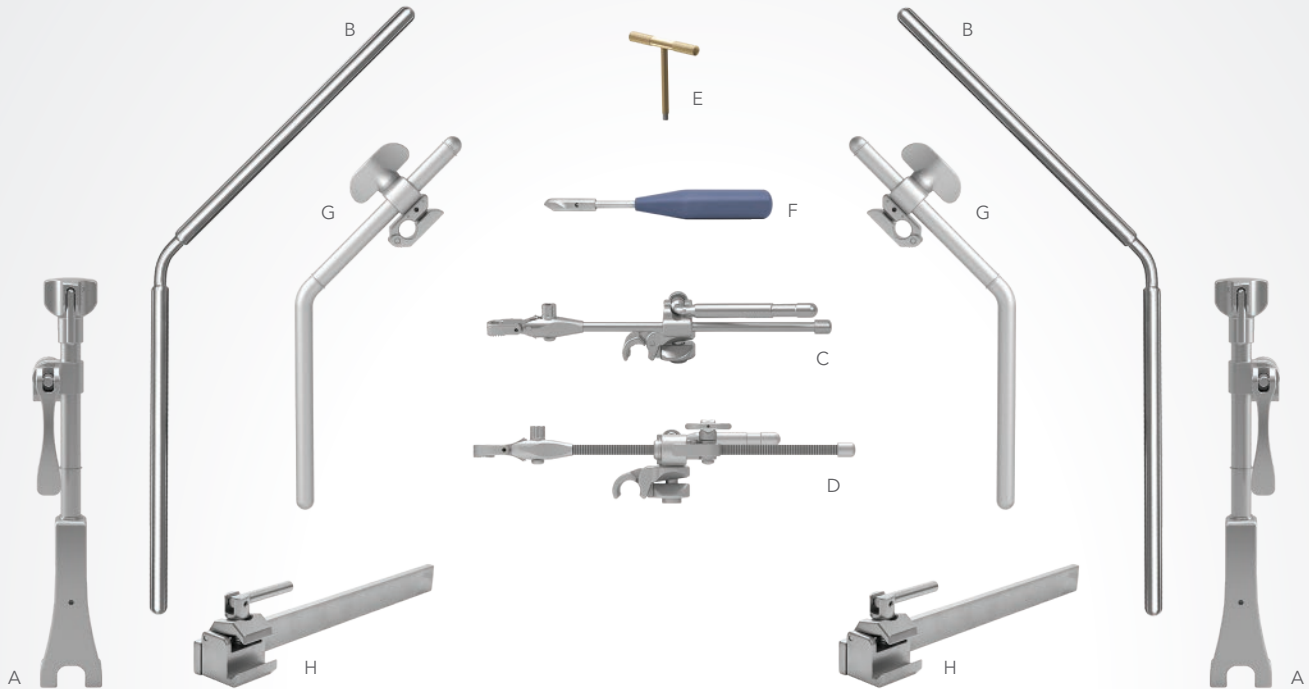
#SL82025

REF	PART #	ITEM DESCRIPTION	QTY
Tray 1			
A	43902ACS	Elite III Rail Clamp w/1 Cam Joint 11"	2
B	44120	20" Angled Arm (10" x 10") @ 45°	2
C	SL42126WGP	Cam II Clip-on Quick Angle 8"	4
D	SL45011CGP	Mini Micro-Adjustable II Clip-on Quick Angle 9"	2
E	60020	T-Handle	2
F	42228	Manipulator Handle	2
G	44012H	Extension Arm 12" with Snap Spring Joint	2
H	5844	Rail Extender 15" Single Clamp	2
	50000G	Instrument Case 22" x 11" x 3 1/2"	1
Tray 2			
I	SL46312EB	Radiolucent Concave 23mm x 35mm	2
J	SL46314EB	Radiolucent Concave 23mm x 40mm	2
K	SL46316EB	Radiolucent Concave 23mm x 45mm	2
L	SL46318EB	Radiolucent Concave 23mm x 50mm	2
M	SL46320EB	Radiolucent Concave 23mm x 55mm	2
N	SL46322EB	Radiolucent Concave 23mm x 60mm	2

(CERVICAL SYSTEM #SL82025 CONTINUED)

REF	PART #	ITEM DESCRIPTION	QTY
O	SL46324EB	Radiolucent Concave 23mm x 65mm	2
P	SL46326EB	Radiolucent Concave 23mm x 70mm	2
Q	SL46328EB	Radiolucent Concave 23mm x 75mm	2
R	SL46330EB	Radiolucent Concave 23mm x 80mm	2
S	SL45160EB	Radio. Conc. Longitudinal 23mm x 30mm	2
T	SL45161EB	Radio. Conc. Longitudinal 23mm x 40mm	2
U	SL45162EB	Radio. Conc. Longitudinal 23mm x 50mm	2
V	SL45163EB	Radio. Conc. Longitudinal 23mm x 60mm	2
W	SL45164EB	Radio. Conc. Longitudinal 23mm x 70mm	2
X	SL46510EB	Radio. Concave Micro 14mm x 35mm	2
Y	SL46512EB	Radio. Concave Micro 14mm x 40mm	2
Z	SL46514EB	Radio. Concave Micro 14mm x 45mm	2
1	SL46516EB	Radio. Concave Micro 14mm x 50mm	2
2	SL46518EB	Radio. Concave Micro 14mm x 55mm	2
3	SL46520EB	Radio. Concave Micro 14mm x 60mm	2
4	SL45643EB	Radio. Concave Tapered 23mm x 35mm	2
5	SL45644EB	Radio. Concave Tapered 23mm x 40mm	2
6	SL45645EB	Radio. Concave Tapered 23mm x 45mm	2
7	SL45646EB	Radio. Concave Tapered 23mm x 50mm	2
8	SL45647EB	Radio. Concave Tapered 23mm x 55mm	2
9	SL45648EB	Radio. Concave Tapered 23mm x 60mm	2
10	SL45649EB	Radio. Concave Tapered 23mm x 65mm	2
11	SL45650EB	Radio. Concave Tapered 23mm x 70mm	2
12	SL45750EB	Radio. Midline Right 70mm x 83mm	1
13	SL45751EB	Radio. Midline Left 70mm x 83mm	1
14	SL45666EB	Radiolucent Odontoid 20mm x 90mm	1
15	46519	Depth Gauge - Anterior Cervical [Anodized]	1
	50000EAC	Instrument Case - Expanded Anterior Cervical	1

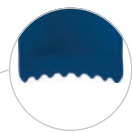
Cervical System COMPONENTS





Radiolucent Concave Lateral

Ideal for medial and lateral retraction for multi and single level procedures. Concavity helps protect tissue.



with teeth (optional)

CONCAVE LATERAL

CLR	PART #	ITEM DESCRIPTION
	SL46310EB	Radiolucent 23mm x 30mm (1" x 1 1/8")
	SL46312EB	Radiolucent 23mm x 35mm (1" x 1 3/8")
	SL46314EB	Radiolucent 23mm x 40mm (1" x 1 1/2")
	SL46316EB	Radiolucent 23mm x 45mm (1" x 1 3/4")
	SL46318EB	Radiolucent 23mm x 50mm (1" x 2")
	SL46320EB	Radiolucent 23mm x 55mm (1" x 2 1/8")
	SL46322EB	Radiolucent 23mm x 60mm (1" x 2 3/8")
	SL46324EB	Radiolucent 23mm x 65mm (1" x 2 1/2")
	SL46326EB	Radiolucent 23mm x 70mm (1" x 2 3/4")
	SL46328EB	Radiolucent 23mm x 75mm (1" x 3")
	SL46330EB	Radiolucent 23mm x 80mm (1" x 3 1/8")

Any of the Radiolucent Concave Lateral Blades may be ordered with teeth by adding a "T" to the end of the part number.



Odontoid

Ideal for anterior odontoid and longitudinal cephalad retraction.

ODONTOID

PART #	ITEM DESCRIPTION
SL45666EB	Radiolucent 20mm x 90mm (3/4" x 3 1/2")



Radiolucent Concave Longitudinal

Ideal for longitudinal, medial, or lateral retraction. Blunt, concave distal end matches vertebral body for better longitudinal exposure.



CONCAVE LONGITUDINAL

CLR	PART #	ITEM DESCRIPTION
	SL45160EB	Radiolucent 23mm x 30mm (1" x 1 1/8")
	SL45161EB	Radiolucent 23mm x 40mm (1" x 1 1/2")
	SL45162EB	Radiolucent 23mm x 50mm (1" x 2")
	SL45163EB	Radiolucent 23mm x 60mm (1" x 2 3/8")
	SL45164EB	Radiolucent 23mm x 70mm (1" x 2 3/4")
	SL45165EB	Radiolucent 23mm x 80mm (1" x 3 1/8")



Midline

Midline blades provide excellent access and visibility under the mandible and when extensive anterior cervical vertebra exposure is needed.

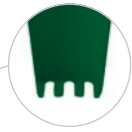
MIDLINE

PART #	ITEM DESCRIPTION
SL45750EB	Radiolucent Right 70mm x 83mm (2 3/4" x 3 1/4")
SL45751EB	Radiolucent Left 70mm x 83mm (2 3/4" x 3 1/4")
SL45750A	Right 70mm x 83mm (2 3/4" x 3 1/4")
SL45751A	Left 70mm x 83mm (2 3/4" x 3 1/4")
SL45755A	Left 57mm x 83mm (2 1/4" x 3 1/4")
SL45754A	Right 57mm x 83mm (2 1/4" x 3 1/4")



Radiolucent Concave Tapered

Ideal for medial / lateral retraction in multi or single level procedures. Concavity helps protect tissue. Narrow distal end allows better drill access for discectomies.



with teeth (optional)

CONCAVE TAPERED

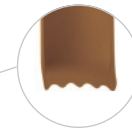
CLR	PART #	ITEM DESCRIPTION
	SL45639EB	Radiolucent 23mm x 30mm (1" x 1 1/8")
	SL45643EB	Radiolucent 23mm x 35mm (1" x 1 3/8")
	SL45644EB	Radiolucent 23mm x 40mm (1" x 1 1/2")
	SL45645EB	Radiolucent 23mm x 45mm (1" x 1 3/4")
	SL45646EB	Radiolucent 23mm x 50mm (1" x 2")
	SL45647EB	Radiolucent 23mm x 55mm (1" x 2 1/8")
	SL45648EB	Radiolucent 23mm x 60mm (1" x 2 3/8")
	SL45649EB	Radiolucent 23mm x 65mm (1" x 2 1/2")
	SL45650EB	Radiolucent 23mm x 70mm (1" x 2 3/4")
	SL45651EB	Radiolucent 23mm x 75mm (1" x 3")
	SL45652EB	Radiolucent 23mm x 80mm (1" x 3 1/8")

Any of the Radiolucent Concave Tapered Blades may be ordered with teeth by adding a "T" to the end of the part number.



Radiolucent Concave Micro

Provides excellent exposure for microsurgical operations. Narrow blade face allows better drill access for discectomy procedures.



with teeth (optional)

CONCAVE MICRO

CLR	PART #	ITEM DESCRIPTION
	SL46508EB	Radiolucent 14mm x 30mm (1/2" x 1 1/8")
	SL46510EB	Radiolucent 14mm x 35mm (1/2" x 1 3/8")
	SL46512EB	Radiolucent 14mm x 40mm (1/2" x 1 1/2")
	SL46514EB	Radiolucent 14mm x 45mm (1/2" x 1 1/2")
	SL46516EB	Radiolucent 14mm x 50mm (1/2" x 2")
	SL46518EB	Radiolucent 14mm x 55mm (1/2" x 2 1/8")
	SL46520EB	Radiolucent 14mm x 60mm (1/2" x 2 3/8")
	SL46523EB	Radiolucent 14mm x 65mm (1/2" x 2 1/2")
	SL46524EB	Radiolucent 14mm x 70mm (1/2" x 2 3/4")
	SL46526EB	Radiolucent 14mm x 75mm (1/2" x 3")
	SL46528EB	Radiolucent 14mm x 80mm (1/2" x 3 1/8")

Any of the Radiolucent Concave Micro Blades above may be ordered with teeth by adding "T" to the end of the part number.



BLADE NOTICES

Radiolucent cervical blades with part numbers ending in 'EB' are Anodized Aluminum; ending in 'AT' or 'AET' are Titanium.

Titanium blades also available, call for more information.

For longer cervical options, see Radiolucent Short Neck Renal Blades, page 25.



Radiolucent MIS Reverse Tapered

Excellent exposure while maintaining a minimal incision size.

RADIOLUCENT MIS REVERSE TAPERED

PART #	ITEM DESCRIPTION
SL45624AT	Radiolucent 15mm x 23mm x 35mm (5/8" x 1" x 1 3/8")
SL45625AT	Radiolucent 15mm x 23mm x 40mm (5/8" x 1" x 1 1/2")
SL45626AT	Radiolucent 15mm x 23mm x 45mm (5/8" x 1" x 1 3/4")
SL45627AT	Radiolucent 15mm x 23mm x 50mm (5/8" x 1" x 2")
SL45628AT	Radiolucent 15mm x 23mm x 55mm (5/8" x 1" x 2 1/2")
SL45629AT	Radiolucent 15mm x 23mm x 60mm (5/8" x 1" x 2 3/8")
SL45630AT	Radiolucent 15mm x 23mm x 65mm (5/8" x 1" x 2 1/2")
SL45631AT	Radiolucent 15mm x 23mm x 70mm (5/8" x 1" x 2 3/4")
SL45632AT	Radiolucent 15mm x 23mm x 75mm (5/8" x 1" x 3")



Malleable

Ideal for soft tissue retraction. Malleable design offers versatility.

MALLEABLE

PART #	ITEM DESCRIPTION
SL45656AT *	Radiolucent 25mm x 110mm (1" x 4 1/2")
SL45657AT *	Radiolucent 13mm x 90mm (1/2" x 3 1/2")
SL45656A *	25mm x 110 mm (1" x 4 5/16")
SL45657A *	13mm x 90mm (1/2" x 3 1/2")



Concave Medial

Retracts anterior neck anatomy medially for anterior cervical spine exposure.

CONCAVE MEDIAL

PART #	ITEM DESCRIPTION
SL45212A	13mm x 50mm (1/2" x 2")
SL45214A	13mm x 75mm (1/2" x 3")
SL45216A	13mm x 100mm (1/2" x 4")
SL45222A	19mm x 50mm (3/4" x 2")
SL45224A	19mm x 75mm (3/4" x 3")
SL45226A	19mm x 100mm (3/4" x 4")
SL45232A	25mm x 50mm (1" x 2")
SL45234A	25mm x 75mm (1" x 3")
SL45236A	25mm x 100mm (1" x 4")
SL45153A	32mm x 70mm (1 1/4" x 2 3/4")
SL45154A	38mm x 70mm (1 1/2" x 2 3/4")
SL45155A	38mm x 85mm (1 1/2" x 3 3/8")



Mini-Richardson

Muscle retraction for exposure with small or mini-incision.

MINI-RICHARDSON

PART #	ITEM DESCRIPTION
SL46125	19mm x 25mm (3/4" x 1")
SL46125A	19mm x 51mm (3/4" x 2")
SL46126	25mm x 32mm (1" x 1 1/4")



Meyerding

Ideal for laminectomies and muscle retraction.

MEYERDING

PART #	ITEM DESCRIPTION
SO45612AET	Radiolucent 51mm x 60mm (2" x 2 3/8")
SL45614A	16mm x 51mm (5/8" x 2")
SL45600A	16mm x 75mm (5/8" x 3")
SL45601A	16mm x 100mm (5/8" x 4")
SL45610A	25mm x 60mm (1" x 2 3/8")
SL45611A	25mm x 75mm (1" x 3")
SL45602A	25mm x 100mm (1" x 4")
SL45603A	25mm x 125mm (1" x 5")
SO45612A	51mm x 60mm (2" x 2 3/8")
SO45613A	51mm x 75mm (2" x 3")
SO45615A	51mm x 100mm (2" x 4")
SO45616A	51mm x 125mm (2" x 5")

Any of the Meyerding Blades above may be ordered with teeth by adding a "T" to the end of the part number.



Army-Navy

Retracts shallow or superficial tissue.

ARMY-NAVY

PART #	ITEM DESCRIPTION
SL45620A	13mm x 55mm (1/2" x 2 1/8")
SL45621A	13mm x 65mm (1/2" x 2 5/8")
SL45622A	13mm x 75mm (1/2" x 3 1/16")



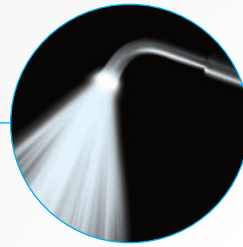
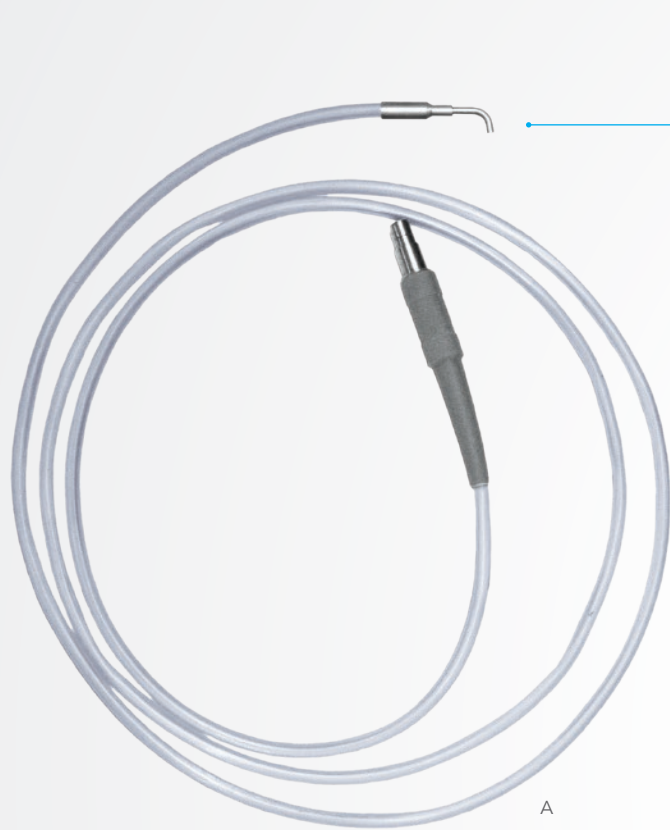
BLADE NOTICES

Radiolucent cervical blades with part numbers ending in 'EB' are Anodized Aluminum; ending in 'AT' or 'AET' are Titanium.

Titanium blades also available, call for more information.

For longer cervical options, see Radiolucent Short Neck Renal Blades, page 25.

Cervical Illumination



Mini Retractor Lite LED provides shadowless, cool LED light in the smallest areas.



Attach **Mini Retractor Lite LED** to a Thompson Retractor cervical blade with the use of a **Mini Retractor Lite Clip**.



(not shown to scale)



C

MINI RETRACTOR LITE LED KIT * #40001MRL

REF	PART #	ITEM DESCRIPTION	QTY
A	40002MRL	Mini Retractor Lite LED (cervical use only)	1
B	40026MRL	Mini Retractor Lite Clip (Radiopaque)	2
	50000LW	Instrument Case	1
C	LLS-2000-2	LED Light Source	1



NOTICE:

LED Light Source (#LLS-2000-2) required for Mini Retractor Lite LED.

Cervical Accessories + Organized Instrument Cases

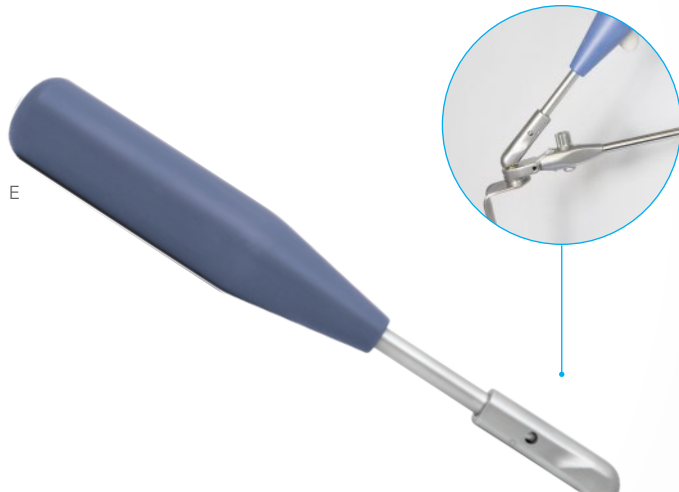


D

Color-Coded **Depth Gauge** aids in assessment of incision depth to provide quick selection of corresponding color-coded cervical blades.

CERVICAL DEPTH GAUGE

REF	PART #	ITEM DESCRIPTION
D	46519	Anterior Cervical Depth Gauge 157.5mm (6 ¼")

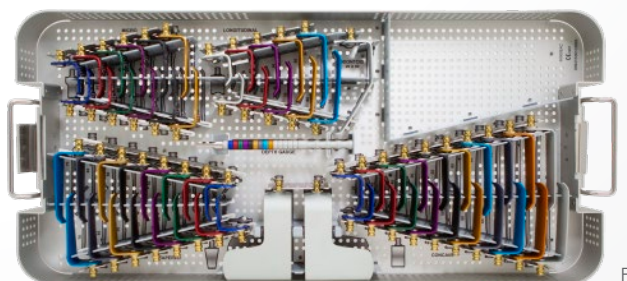


E

Used in addition to a Thompson S-Lock® Retractor Handle, the **Manipulator Handle** makes controlled retraction adjustments to the blade position after blade has been placed and attached to the frame.

MANIPULATOR HANDLE

REF	PART #	ITEM DESCRIPTION
E	42228	Manipulator Handle



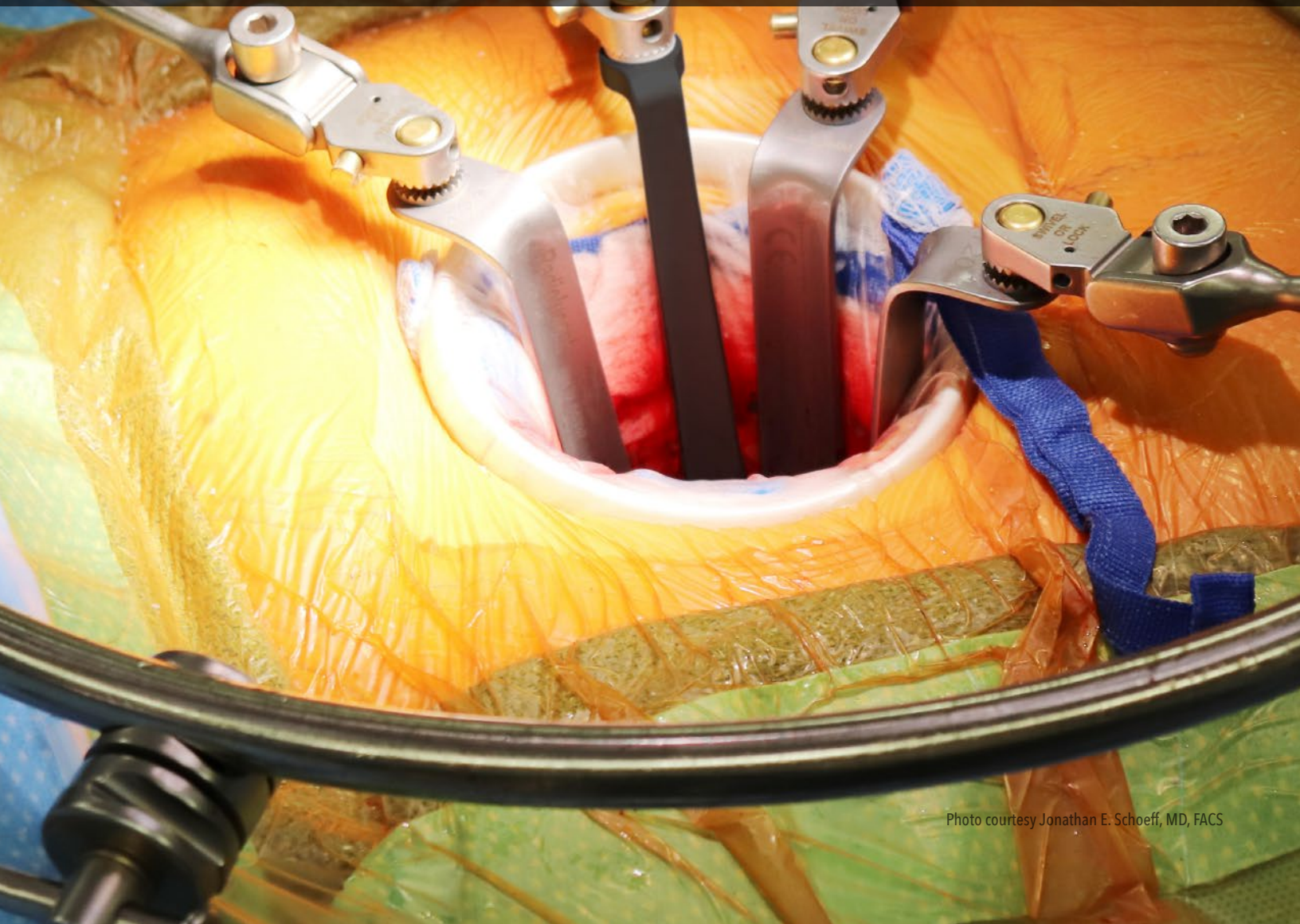
F

ORGANIZED INSTRUMENT CASES - CERVICAL

REF	PART #	ITEM DESCRIPTION
	50000ACT	Anterior Cervical
F	50000EAC	Expanded Anterior Cervical
	50000UAC	Cervical Blade
	50000UACT	Cervical Blade Tray (Insert for 50000UAC)

"Thompson's attention to detail and brilliant engineering minds consistently deliver the best product on the market."

- Jonathan E. Schoeff, MD, FACS



ANTERIOR LUMBAR

Anterior Lumbar System

Exclusive Features	20-21
System Components	22-23
Blades	24-27

Anterior Lumbar Ring System

Exclusive Features	28-29
System Components	30-31
Blades	32-33

Anterior Lumbar Articulating Arm System

Exclusive Features	34-35
System Components	36-37
Blades	see pages 24-25

Accessories.....38

Organized Instrument Cases.....39

Anterior Lumbar Spine Access

Low Profile, Stable Exposure

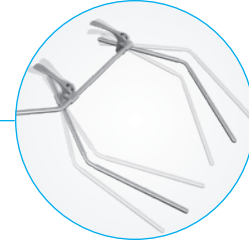
The Thompson Retractor provides safe and effortless Uncompromised Exposure, minimizing shift or “rise up” in the wound, and possibly reducing the risk of vascular, nerve, and ureter injury.

Ring style frame also available, see page 28.



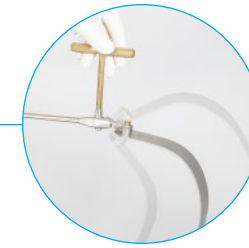
NEW Faster, Lighter Elite III Rail Clamp

Table mounted frame minimizes retractor shifting. Attaches and adjusts within the sterile field. Weight reduced by 1 pound, and attaches to bedrail in half the time, when compared to previous version.



Independent Retraction

Frame arms are independently adjusted, providing more control.



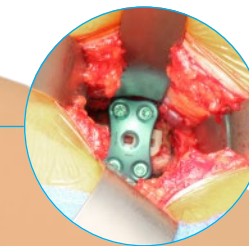
NEW Quick Angle Handles

Blades are quickly and precisely angled in or out 45° with fingers or T-Handle.



NEW S-Lock® Technology

Swivel 360° or lock in any position. Easily switch from ‘swivel’ to ‘locked’ with the push of a button.



Strong, Radiolucent Blades

Superior strength prevents excessive flexing under heavy retraction.

Photo courtesy Dr. Griffin Bicking, DO



NEW “Pinch” Joints

Effortlessly remove handles from the frame.

ANTERIOR LUMBAR

Anterior Lumbar System COMPONENTS

ANTERIOR LUMBAR SYSTEM

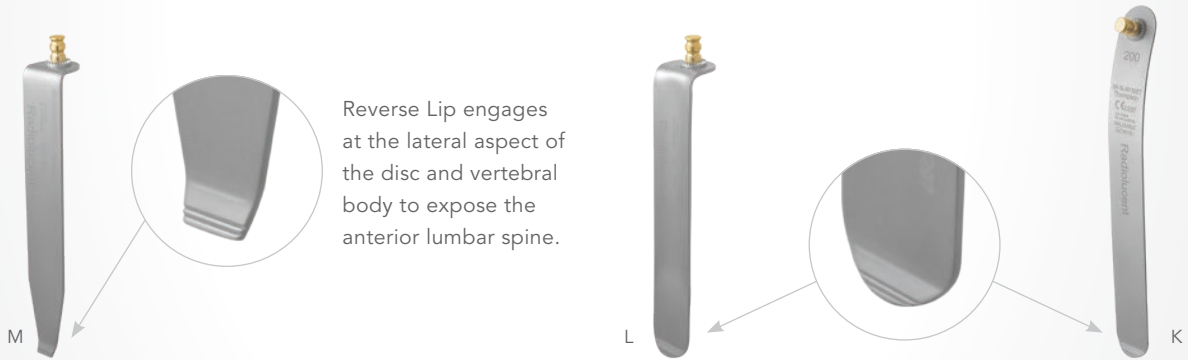
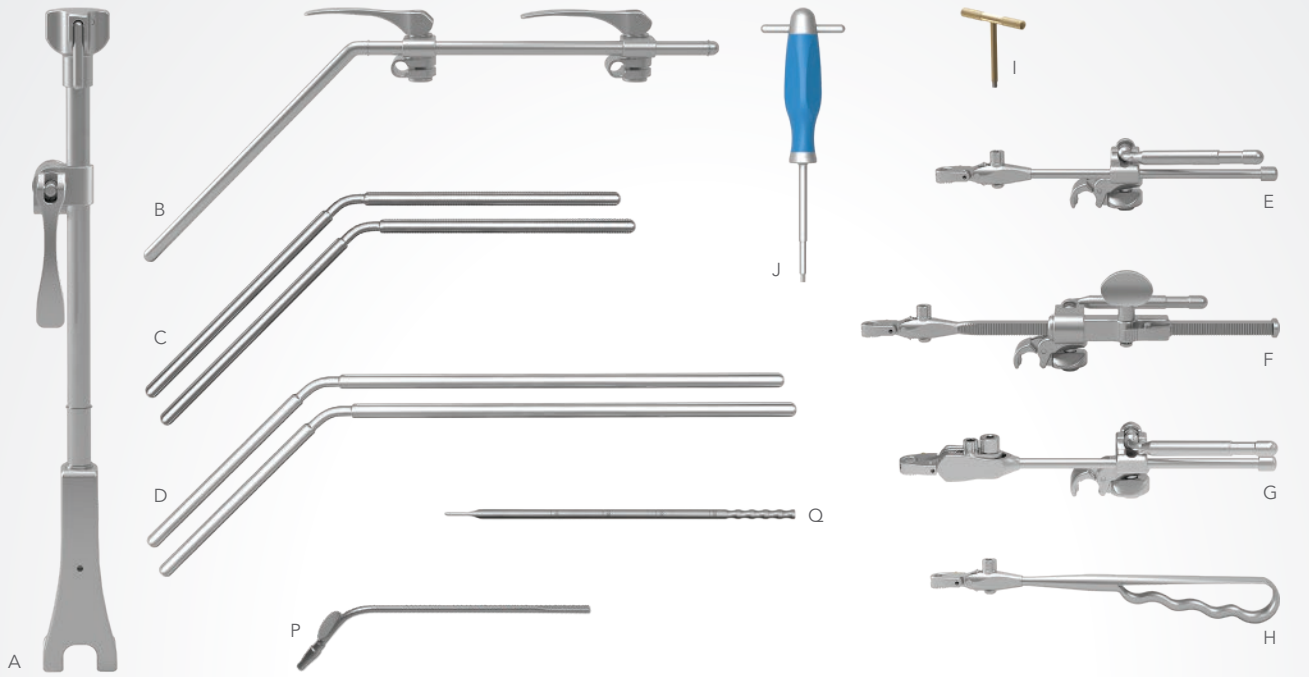
#SL82019

(ANTERIOR LUMBAR SYSTEM #SL82019 CONTINUED)

REF	PART #	ITEM DESCRIPTION	QTY
Tray 1			
A	43902ACL	Elite III Rail Clamp with 1 Cam Joint 16"	1
B	43900BC	24" Crossbar with 2 Cam III Joints	1
C	44120	20" Angled Arm (10" x 10") @ 45°	2
D	44124N	24" Angled Arm (8" x 16") @ 45°	2
E	SL42126WGP	Cam II Clip-on Quick Angle 8"	5
F	SL45006CGP	Micro-Adjustable II Clip-on Quick Angle 10"	1
G	SL42126WDP	Cam II Clip-on Dual Angle 8"	2
H	SL42128G	Quick Angle Hand Held Adapter	1
I	60020	T-Handle	2
J	60021	Hex Tool 3/16" with T-Handle	1
	50000G	Instrument Case 23" x 11" x 3 1/2"	1
Tray 2			
K	SL46192ET	Radio. Reverse Lip Malleable 25mm x 200mm	2
	SL46193ET	Radio. Reverse Lip Malleable 32mm x 200mm	2
	SL46260RET	Radiolucent Reverse Lip 25mm x 100mm	2
	SL46261RET	Radiolucent Reverse Lip 25mm x 110mm	2
	SL46262RET	Radiolucent Reverse Lip 25mm x 120mm	2
	SL46263RET	Radiolucent Reverse Lip 25mm x 130mm	2
L	SL46265RET	Radiolucent Reverse Lip 25mm x 150mm	2
	SL46267RET	Radiolucent Reverse Lip 25mm x 170mm	2
	SL46269RET	Radiolucent Reverse Lip 25mm x 190mm	2
	SL46271RET	Radiolucent Reverse Lip 25mm x 210mm	2
	SL46273RET	Radiolucent Reverse Lip 25mm x 230mm	2
	SL46275RET	Radiolucent Reverse Lip 25mm x 250mm	2
	SL46280RET	Radiolucent Reverse Lip 32mm x 100mm	2
	SL46282RET	Radiolucent Reverse Lip 32mm x 120mm	2
	SL46284RET	Radiolucent Reverse Lip 32mm x 140mm	2
	SL46286RET	Radiolucent Reverse Lip 32mm x 160mm	2
	SL46288RET	Radiolucent Reverse Lip 32mm x 180mm	2
	SL46290RET	Radiolucent Reverse Lip 32mm x 200mm	2
	SL46292RET	Radiolucent Reverse Lip 32mm x 220mm	2
	SL46293RET	Radiolucent Reverse Lip 32mm x 230mm	2
	SL46294RET	Radiolucent Reverse Lip 32mm x 240mm	2
	SL46295RET	Radiolucent Reverse Lip 32mm x 250mm	2

REF	PART #	ITEM DESCRIPTION	QTY
	SL46260TET	Radio. Reverse Lip Tapered 25mm x 100mm	2
M	SL46265TET	Radio. Reverse Lip Tapered 25mm x 150mm	2
	SL46270TET	Radio. Reverse Lip Tapered 25mm x 200mm	2
N	SL46119BET	Radio. Malleable Concave Round Neck Renal 25mm x 140mm	2
O	SL46119CET	Radiolucent Malleable Concave Round Neck Renal 25mm x 190mm	2
	SL46564	Radio. Conc. Short Neck Renal 25mm x 140mm	4
	SL46569	Radio. Conc. Short Neck Renal 25mm x 190mm	4
	SL46575	Radio. Conc. Short Neck Renal 25mm x 250mm	4
P	51234	Suction for Anterior Lumbar Surgery	1
Q	51236	Anterior Lumbar Depth Gauge 335mm	1
	50000ERL	Instrument Case - Exp. Reverse Lip ASA	1
Tray 3			
	SL46558	Radio. Concave Short Neck Renal 25mm x 80mm	4
R	SL46560	Radio. Conc. Short Neck Renal 25mm x 100mm	4
	SL46562	Radio. Conc. Short Neck Renal 25mm x 120mm	4
S	SL46564	Radio. Conc. Short Neck Renal 25mm x 140mm	4
	SL46566	Radio. Conc. Short Neck Renal 25mm x 160mm	4
T	SL46568	Radio. Conc. Short Neck Renal 25mm x 180mm	4
	SL46570	Radio. Conc. Short Neck Renal 25mm x 200mm	4
	50000ALR	Instrument Case - AL Renal Vein Blades	1
Tray 4			
	SL46119BET	Radiolucent Malleable Concave Round Neck Renal 25mm x 140mm	2
	SL46119CET	Radiolucent Malleable Concave Round Neck Renal 25mm x 190mm	2
	SL46119RET	Radiolucent Long Neck Renal 25mm x 140mm	2
	SL46120RET	Radiolucent Long Neck Renal 25mm x 190mm	2
	SL46121RET	Radiolucent Long Neck Renal 25mm x 255mm	2
U	SL46122ET	Radio. Malleable 51mm x 203mm (2" x 8")	2
V	SL46140ET	Radio. Balfour 65mm x 72mm (2 1/2" x 2 3/4")	2
	SL46141ET	Radio. Balfour 83mm x 70mm (3 1/4" x 2 3/4")	1
W	SL46145ET	Radio. Splanchnich 51mm x 115mm (2" x 4 1/2")	1
X	SL46160ET	Radio. Harrington 64mm x 152mm (2 1/2" x 6")	1
	SL46176ET	Radiolucent Deaver 76mm x 127mm (3" x 5")	1
	51234	Suction for Anterior Lumbar Surgery	1
	50000ALT	Instrument Case - Anterior Lumbar	1

Anterior Lumbar System COMPONENTS



ANTERIOR LUMBAR



Brau Reverse Lip Rigid

Engages at the lateral aspect of the disc and vertebral body to expose the anterior lumbar spine.

BRAU REVERSE LIP RIGID

PART #	ITEM DESCRIPTION
SL46258RET	Radiolucent 25mm x 80mm (1" x 3 1/8")
SL46259RET	Radiolucent 25mm x 90mm (1" x 3 1/2")
SL46260RET	Radiolucent 25mm x 100mm (1" x 4")
SL46261RET	Radiolucent 25mm x 110mm (1" x 4 3/8")
SL46262RET	Radiolucent 25mm x 120mm (1" x 4 3/4")
SL46263RET	Radiolucent 25mm x 130mm (1" x 5 1/8")
SL46264RET	Radiolucent 25mm x 140mm (1" x 5 1/2")
SL46265RET	Radiolucent 25mm x 150mm (1" x 5 7/8")
SL46266RET	Radiolucent 25mm x 160mm (1" x 6 1/4")
SL46267RET	Radiolucent 25mm x 170mm (1" x 6 5/8")
SL46268RET	Radiolucent 25mm x 180mm (1" x 7")
SL46269RET	Radiolucent 25mm x 190mm (1" x 7 1/2")
SL46270RET	Radiolucent 25mm x 200mm (1" x 7 7/8")
SL46271RET	Radiolucent 25mm x 210mm (1" x 8 1/4")
SL46272RET	Radiolucent 25mm x 220mm (1" x 8 5/8")
SL46273RET	Radiolucent 25mm x 230mm (1" x 9")
SL46274RET	Radiolucent 25mm x 240mm (1" x 9 1/2")
SL46275RET	Radiolucent 25mm x 250mm (1" x 9 7/8")
SL46280RET	Radiolucent 32mm x 100mm (1 1/4" x 4")
SL46281RET	Radiolucent 32mm x 110mm (1 1/4" x 4 3/8")
SL46282RET	Radiolucent 32mm x 120mm (1 1/4" x 4 3/4")
SL46283RET	Radiolucent 32mm x 130mm (1 1/4" x 5 1/8")
SL46284RET	Radiolucent 32mm x 140mm (1 1/4" x 5 1/2")
SL46285RET	Radiolucent 32mm x 150mm (1 1/4" x 5 7/8")
SL46286RET	Radiolucent 32mm x 160mm (1 1/4" x 6 1/4")
SL46287RET	Radiolucent 32mm x 170mm (1 1/4" x 6 5/8")
SL46288RET	Radiolucent 32mm x 180mm (1 1/4" x 7")

BRAU REVERSE LIP RIGID (Continued)

PART #	ITEM DESCRIPTION
SL46289RET	Radiolucent 32mm x 190mm (1 1/4" x 7 1/2")
SL46290RET	Radiolucent 32mm x 200mm (1 1/4" x 7 7/8")
SL46291RET	Radiolucent 32mm x 210mm (1 1/4" x 8 1/4")
SL46292RET	Radiolucent 32mm x 220mm (1 1/4" x 8 5/8")
SL46293RET	Radiolucent 32mm x 230mm (1 1/4" x 9")
SL46294RET	Radiolucent 32mm x 240mm (1 1/4" x 9 1/2")
SL46295RET	Radiolucent 32mm x 250mm (1 1/4" x 9 7/8")



Brau Reverse Lip Tapered

Engages at the lateral aspect of disc and vertebral body to expose the anterior lumbar spine. Tapered design is ideal for working around osteophytes.

BRAU REVERSE LIP TAPERED

PART #	ITEM DESCRIPTION
SL46260TET	Radiolucent 25mm x 100mm (1" x 4")
SL46265TET	Radiolucent 25mm x 150mm (1" x 5 7/8")
SL46270TET	Radiolucent 25mm x 200mm (1" x 7 7/8")
SL46275TET	Radiolucent 25mm x 250mm (1" x 9 7/8")



Brau Reverse Lip Malleable

Engages at the lateral aspect of the disc and vertebral body to expose the anterior lumbar spine. Malleable design is ideal for vessel or soft tissue retraction.

BRAU REVERSE LIP MALLEABLE

PART #	ITEM DESCRIPTION
SL46192ET	Radiolucent 25mm x 200mm (1" x 7 7/8")
SL46193ET	Radiolucent 32mm x 200mm (1 1/4" x 7 7/8")



Concave Short Neck Renal

Rigid, low profile vessel retraction.

CONCAVE SHORT NECK RENAL

PART #	ITEM DESCRIPTION
SL46558	Radiolucent 25mm x 80mm (1" x 3 1/8")
SL46559	Radiolucent 25mm x 90mm (1" x 3 1/2")
SL46560	Radiolucent 25mm x 100mm (1" x 4")
SL46561	Radiolucent 25mm x 110mm (1" x 4 3/8")
SL46562	Radiolucent 25mm x 120mm (1" x 4 3/4")
SL46563	Radiolucent 25mm x 130mm (1" x 5 1/8")
SL46564	Radiolucent 25mm x 140mm (1" x 5 1/2")
SL46565	Radiolucent 25mm x 150mm (1" x 5 7/8")
SL46566	Radiolucent 25mm x 160mm (1" x 6 1/4")
SL46567	Radiolucent 25mm x 170mm (1" x 6 5/8")
SL46568	Radiolucent 25mm x 180mm (1" x 7")
SL46569	Radiolucent 25mm x 190mm (1" x 7 1/2")
SL46570	Radiolucent 25mm x 200mm (1" x 7 7/8")
SL46571	Radiolucent 25mm x 210mm (1" x 8 1/4")
SL46572	Radiolucent 25mm x 220mm (1" x 8 5/8")
SL46573	Radiolucent 25mm x 230mm (1" x 9")
SL46574	Radiolucent 25mm x 240mm (1" x 9 1/2")
SL46575	Radiolucent 25mm x 250mm (1" x 9 7/8")



Malleable Renal

Renal vein or vessel retraction.

MALLEABLE RENAL (Radiopaque)

PART #	ITEM DESCRIPTION
SL46118R	25mm x 203mm (1" x 8")



Concave Round Neck Renal

Renal vein or vessel retraction.

CONCAVE ROUND NECK RENAL

PART #	ITEM DESCRIPTION
SL46119B	25mm x 140mm (1" x 5 1/2") Rigid
SL46119C	25mm x 191mm (1" x 7 1/2") Rigid

MALLEABLE ROUND NECK RENAL

PART #	ITEM DESCRIPTION
SL46119BET	Radiolucent 25mm x 140mm (1" x 5 1/2")
SL46119CET	Radiolucent 25mm x 190mm (1" x 7 1/2")



Long Neck Renal

Rigid vessel retraction.

LONG NECK RENAL

PART #	ITEM DESCRIPTION
SL46118RET	Radiolucent 25mm x 203mm (1" x 8")
SL46119RET	Radiolucent 25mm x 140mm (1" x 5 1/2")
SL46120RET	Radiolucent 25mm x 191mm (1" x 7 1/2")
SL46121RET	Radiolucent 25mm x 254mm (1" x 10")
SL46122RET	Radiolucent 25mm x 305mm (1" x 12")



BLADE NOTICE

Advanced MIS Anterior Lumbar Access blades also available, pages 32 - 33.



Balfour [small lips]

Costal margin or abdominal wall retraction.

BALFOUR [SMALL LIPS] *

PART #	ITEM DESCRIPTION
SO46140CET	Radiolucent 65mm x 72mm (2 1/2" x 2 3/4")
SO46141CET	Radiolucent 83mm x 70mm (3 1/4" x 2 3/4")



Balfour - Anodized Aluminum [small lips]

Radiolucent costal margin or abdominal wall retraction.

BALFOUR - ANODIZED ALUMINUM [SMALL LIPS] *

PART #	ITEM DESCRIPTION
SO46140CEB	Radiolucent 65mm x 72mm (2 1/2" x 2 3/4")
SO46141CEB	Radiolucent 83mm x 70mm (3 1/4" x 2 3/4")



Balfour [with lips]

Costal margin or abdominal wall retraction.

BALFOUR [WITH LIPS] *

PART #	ITEM DESCRIPTION
SL46142ET	Radiolucent 32mm x 32mm (1 1/4" x 1 1/4")
SL46140ET **	Radiolucent 65mm x 72mm (2 1/2" x 2 3/4")
SO46140ET	Radiolucent 65mm x 72mm (2 1/2" x 2 3/4")
SL46141ET **	Radiolucent 83mm x 70mm (3 1/4" x 2 3/4")
SO46141ET	Radiolucent 83mm x 70mm (3 1/4" x 2 3/4")
SO46141DET	Radiolucent 83mm x 127mm (3 1/4" x 5")



Balfour - Anodized Aluminum [with lips]

Radiolucent costal margin or abdominal wall retraction.

BALFOUR - ANODIZED ALUMINUM [WITH LIPS] *

PART #	ITEM DESCRIPTION
SL46142EB	Radiolucent 32mm x 32mm (1 1/4" x 1 1/4")
SL46142PEB	Radiolucent 51mm x 51mm (2" x 2")
SO46140EB	Radiolucent 65mm x 72mm (2 1/2" x 2 3/4")
SO46141EB	Radiolucent 83mm x 70mm (3 1/4" x 2 3/4")
SO46141DEB	Radiolucent 83mm x 127mm (3 1/4" x 5")



Deaver

Aids in soft tissue retraction.

DEAVER [NON-MALLEABLE]

PART #	ITEM DESCRIPTION
SL46170ET	Radiolucent 25mm x 127mm (1" x 5")
SL46172ET	Radiolucent 38mm x 127mm (1 1/2" x 5")
SL46174ET	Radiolucent 51mm x 127mm (2" x 5")
SO46175ET	Radiolucent 64mm x 127mm (2 1/2" x 5")
SL46176ET **	Radiolucent 76mm x 127mm (3" x 5")
SO46176ET	Radiolucent 76mm x 127mm (3" x 5")
SL46178ET **	Radiolucent 102mm x 127mm (4" x 5")
SO46178ET	Radiolucent 102mm x 127mm (4" x 5")

* Balfour blades may be ordered with small lips or without lips. Call your Thompson representative to order.

** For anterior lumbar use only.



Malleable

Ideal for soft tissue retraction. Malleable design offers versatility.

MALLEABLE

PART #	ITEM DESCRIPTION
SL45656AT *	Radiolucent 25mm x 110mm (1" x 4 1/2")
SL45657AT *	Radiolucent 13mm x 90mm (1/2" x 3 1/2")
SL46115ET	Radiolucent 13mm x 64mm (1/2" x 2 1/2")
SL46116ET	Radiolucent 13mm x 152mm (1/2" x 6")
SL46117ET	Radiolucent 13mm x 203mm (1/2" x 8")
SL46118ET	Radiolucent 25mm x 203mm (1" x 8")
SL46118PET	Radiolucent 25mm x 102mm (1" x 4")
SL46122AET	Radiolucent 51mm x 254mm (2" x 10")
SL46122ET	Radiolucent 51mm x 203mm (2" x 8")
SL46124ET	Radiolucent 64mm x 254mm (2 1/2" x 10")
SO46124AET	Radiolucent 76mm x 254mm (3" x 10")
SO46124BET	Radiolucent 102mm x 254mm (4" x 10")

* Blades are pre-bent; measured from bend to distal end.



Harrington ("Sweetheart")

Ideal for organ or soft tissue retraction.

HARRINGTON

PART #	ITEM DESCRIPTION
SL46160ET	Radiolucent 64mm x 152mm (2 1/2" x 6")
SO46160ET	Radiolucent 64mm x 152mm (2 1/2" x 6")
SL46163ET	Radiolucent 64mm x 203mm (2 1/2" x 8")
SL46164ET	Radiolucent 64mm x 254mm (2 1/2" x 10")
SL46165ET	Radiolucent 64mm x 102mm (2 1/2" x 4")



Richardson

Abdominal wall retraction.

RICHARDSON

PART #	ITEM DESCRIPTION
SL46420ET	Radiolucent 50mm x 40mm (2" x 1 1/2")
SL46422ET	Radiolucent 50mm x 60mm (2" x 2 3/8")
SL46424ET	Radiolucent 50mm x 80mm (2" x 3 1/8")
SL46426ET	Radiolucent 50mm x 100mm (2" x 4")
SL46428ET	Radiolucent 50mm x 120mm (2" x 4 3/4")
SL46430ET	Radiolucent 50mm x 140mm (2" x 5 1/2")
SL46432ET	Radiolucent 50mm x 160mm (2" x 6 1/4")
SL46434ET	Radiolucent 50mm x 180mm (2" x 7")
SL46436ET	Radiolucent 50mm x 200mm (2" x 7 7/8")
SL46437ET	Radiolucent 50mm x 210mm (2" x 8 1/4")
SL46438ET	Radiolucent 50mm x 220mm (2" x 8 5/8")
SL46439ET	Radiolucent 50mm x 230mm (2" x 9")
SL46440ET	Radiolucent 50mm x 240mm (2" x 9 1/2")
SL46441ET	Radiolucent 50mm x 250mm (2" x 9 7/8")



Splanchnich

Abdominal wall or soft tissue retraction.

SPLANCHNICH

PART #	ITEM DESCRIPTION
SL46148ET	Radiolucent 25mm x 152mm (1" x 6")
SL46159ET	Radiolucent 25mm x 203mm (1" x 8")
SL46145ET	Radiolucent 51mm x 114mm (2" x 4 1/2")
SL46146ET	Radiolucent 51mm x 152mm (2" x 6")
SL46147ET	Radiolucent 51mm x 203mm (2" x 8")

ANTERIOR LUMBAR

Anterior Lumbar Spine Access

The versatile Thompson Anterior Lumbar Ring System allows for quick, secure placement of the handles around the surgical site while providing the surgeon with an unobstructed view of the working area.

Surgeons familiar with a ring style frame will find the AL Ring System incredibly intuitive, functioning similarly to other rings but with marked improvements.

Sterile Table Mount

Mounts and adjusts within the sterile field.



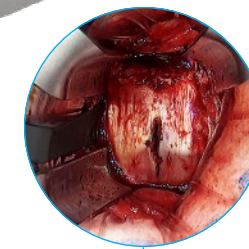
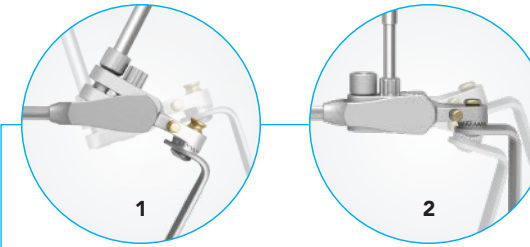
Circle Joints

Low profile joints provide strong, secure attachment for retractors.



Dual Angle Handle

Provides tactile blade placement (1), as well as additional micro-adjustments (2).



Strong, Radiolucent Blades

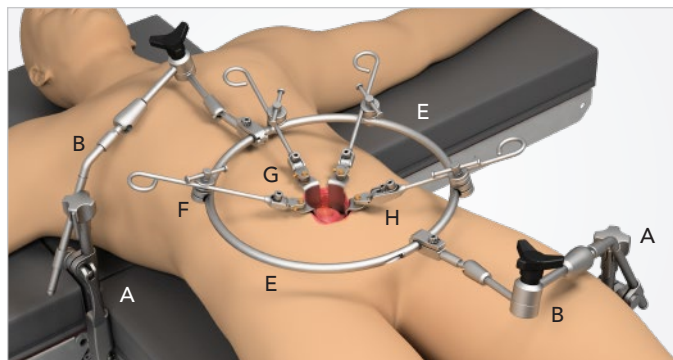
Superior strength prevents excessive flexing under heavy retraction.

Photo courtesy Dr. Jonathan Schoeff, MD, FACS

ANTERIOR LUMBAR

NEW Anterior Lumbar Ring System COMPONENTS

Anterior Lumbar Access



ANTERIOR LUMBAR RING SYSTEM #SL82023

REF	PART #	ITEM DESCRIPTION	QTY
Tray 1			
A	43902ACS	Elite III Rail Clamp w/1 Cam Joint 11"	2
B	44615FH	14" Extension Arm with Fixed Hinge Joint	2
C	44223	Ring Extension 4"	2
D	44229	Ring Extension Hinged 4"	2
E	44224	Ring Frame Half 13 1/2"	2
F	42100	Circle Joint 1/2" x 1/4"	5
G	SL42102	Free Angle Handle	3
H	SL42101	Dual Angle Handle	2
I	SL42126WGP	Cam II Clip-on Quick Angle 8"	2
J	SL45011CGP	Mini Micro-Adjustable II Clip-on Quick Angle 9"	1
K	60021	Hex Tool 3/16" with T-Handle	1
L	60020	T-Handle	1
	SL46432ET	Radio. Richardson 50mm x 160mm (2" x 6 1/4")	1
M	SL46434ET	Radio. Richardson 50mm x 180mm (2" x 7")	1
	SL46436ET	Radio. Richardson 50mm x 200mm (2" x 7 7/8")	1
	50000G	Instrument Case (23" x 11" x 3 1/2")	2
Tray 2			
N	SL46558	Radiolucent Concave Short Neck Renal 25mm x 80mm (1" x 3 1/8")	4
O	SL46560	Radiolucent Concave Short Neck Renal 25mm x 100mm (1" x 4")	4
P	SL46562	Radiolucent Concave Short Neck Renal 25mm x 120mm (1" x 4 3/4")	4
Q	SL46564	Radiolucent Concave Short Neck Renal 25mm x 140mm (1" x 5 1/2")	4
R	SL46566	Radiolucent Concave Short Neck Renal 25mm x 160mm (1" x 6 1/4")	4

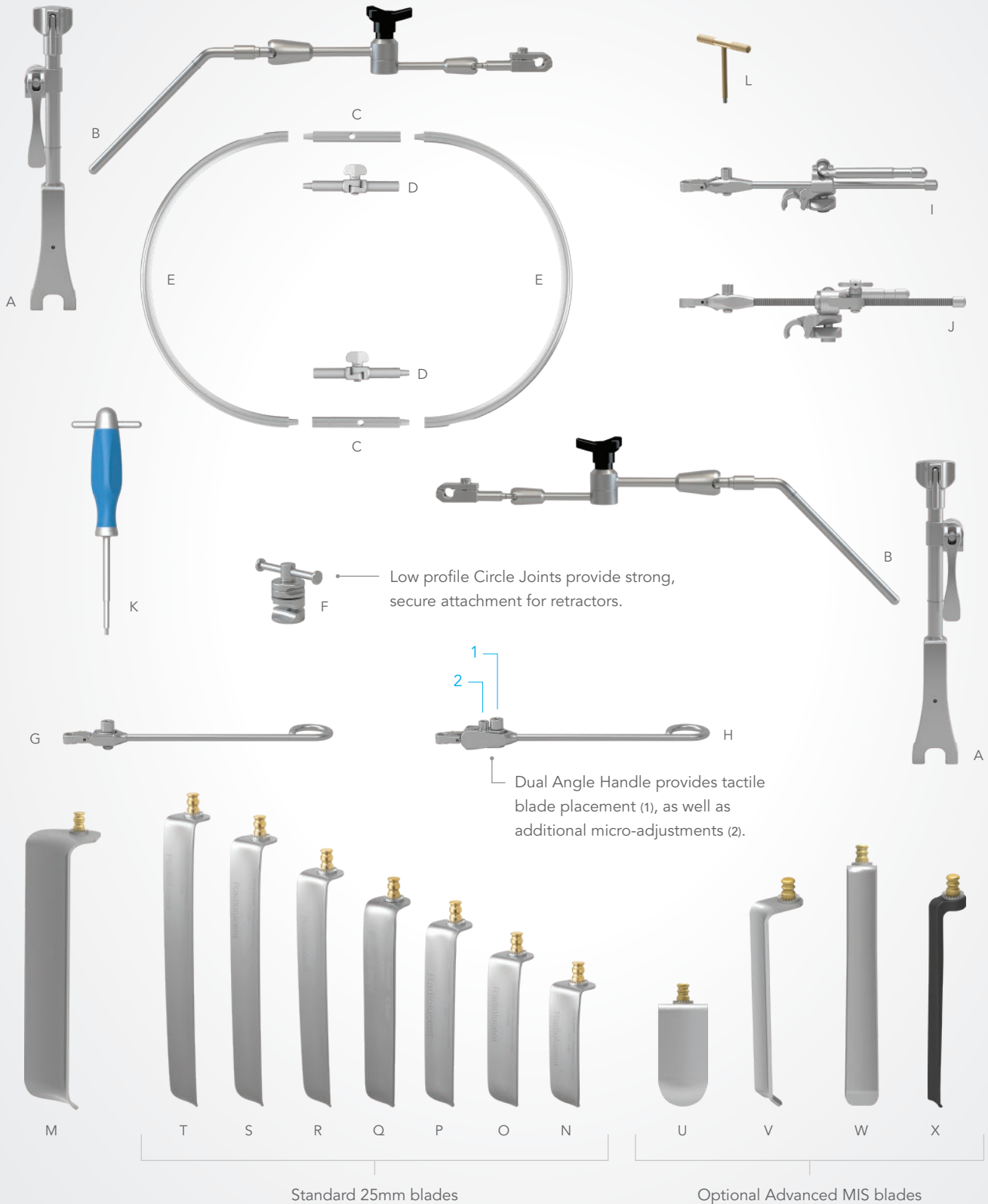
(ANTERIOR LUMBAR RING SYSTEM #SL82023 CONTINUED)

REF	PART #	ITEM DESCRIPTION	QTY
S	SL46568	Radiolucent Concave Short Neck Renal 25mm x 180mm (1" x 7")	4
T	SL46570	Radiolucent Concave Short Neck Renal 25mm x 200mm (1" x 7 7/8")	4
	50000ALR	Instrument Case - AL Renal Vein	1

AL ADVANCED MIS BLADE KIT (OPTIONAL) #SL82026

REF	PART #	ITEM DESCRIPTION	QTY
Tray 1			
U	SL44432	Radio. Concave 30mm x 60mm (1 1/8" x 2 3/8")	1
	SL44328	Radio. Concave 18mm x 80mm (3/4" x 3 1/8")	4
	SL44330	Radio. Concave 18mm x 100mm (3/4" x 4")	4
V	SL44332	Radio. Concave 18mm x 120mm (3/4" x 4 3/4")	4
	SL44358	Radiolucent Concave Short Neck Renal 25mm x 180mm (1" x 7")	4
	SL44360	Radiolucent Concave Short Neck Renal 25mm x 200mm (1" x 7 7/8")	4
W	SL44418	Radio. Reverse Tapered 20mm x 140mm (3/4" x 5 1/2")	4
	SL44422	Radio. Reverse Tapered 20mm x 160mm (3/4" x 6 1/4")	4
	50000RV	Instrument Tray - Renal Vein Blades	1
	50000U1	Instrument Case - Base One Level	1
	50000L	Instrument Case - Lid	1
Tray 2			
	SL44368	Radiolucent Fine Vessel 80mm (3 1/8")	2
	SL44370	Radiolucent Fine Vessel 100mm (4")	2
X	SL44372	Radiolucent Fine Vessel 120mm (4 3/4")	2
	SL44374	Radiolucent Fine Vessel 140mm (5 1/2")	2
	SL44376	Radiolucent Fine Vessel 160mm (6 1/4")	2
	SL44378	Radiolucent Fine Vessel 180mm (7")	2
	SL44380	Radiolucent Fine Vessel 200mm (7 7/8")	2
	50000FV	Instrument Tray - Fine Vessel Blades	1
	50000U1	Instrument Case - Base One Level	1
	50000L	Instrument Case - Lid	1
Tray 3			
	40020X	Lite Wand Xe	1
	40024	Lite Clip - Single Use (Radiopaque)	5
	50000LW	Instrument Case - Lite Wand	1

NEW Anterior Lumbar Ring System COMPONENTS



ANTERIOR LUMBAR



Short Neck Renal Vein

Rigid vessel retraction.

SHORT NECK RENAL VEIN

PART #	ITEM DESCRIPTION
SL44348	Radiolucent 25mm x 80mm (1" x 3 1/8")
SL44349	Radiolucent 25mm x 90mm (1" x 3 1/2")
SL44350	Radiolucent 25mm x 100mm (1" x 4")
SL44351	Radiolucent 25mm x 110mm (1" x 4 3/8")
SL44352	Radiolucent 25mm x 120mm (1" x 4 3/4")
SL44353	Radiolucent 25mm x 130mm (1" x 5 1/8")
SL44354	Radiolucent 25mm x 140mm (1" x 5 1/2")
SL44355	Radiolucent 25mm x 150mm (1" x 5 7/8")
SL44356	Radiolucent 25mm x 160mm (1" x 6 1/4")
SL44357	Radiolucent 25mm x 170mm (1" x 6 5/8")
SL44358	Radiolucent 25mm x 180mm (1" x 7")
SL44359	Radiolucent 25mm x 190mm (1" x 7 1/2")
SL44360	Radiolucent 25mm x 200mm (1" x 7 7/8")



Advanced MIS 18mm Concave

Rigid, low profile MIS vessel retraction.

ADVANCED MIS 18MM CONCAVE

PART #	ITEM DESCRIPTION
SL44328	Radiolucent 18mm x 80mm (3/4" x 3 1/8")
SL44329	Radiolucent 18mm x 90mm (3/4" x 3 1/2")
SL44330	Radiolucent 18mm x 100mm (3/4" x 4")
SL44331	Radiolucent 18mm x 110mm (3/4" x 4 3/8")
SL44332	Radiolucent 18mm x 120mm (3/4" x 4 3/4")
SL44333	Radiolucent 18mm x 130mm (3/4" x 5 1/8")
SL44334	Radiolucent 18mm x 140mm (3/4" x 5 1/2")
SL44335	Radiolucent 18mm x 150mm (3/4" x 5 7/8")
SL44336	Radiolucent 18mm x 160mm (3/4" x 6 1/4")
SL44337	Radiolucent 18mm x 170mm (3/4" x 6 5/8")
SL44338	Radiolucent 18mm x 180mm (3/4" x 7")
SL44339	Radiolucent 18mm x 190mm (3/4" x 7 1/2")
SL44340	Radiolucent 18mm x 200mm (3/4" x 7 7/8")



Advanced MIS Concave

Rigid vessel retraction.

CONCAVE

PART #	ITEM DESCRIPTION
SL44432	Radiolucent 30mm x 60mm (1 1/8" x 2 3/8")



Advanced MIS Fine Vessel

Fine vessel retraction, specially designed for 'advanced MIS' users.



Advanced MIS Reverse Tapered

Maintains MIS incision size, while providing additional retraction width at the distal end.

ADVANCED MIS FINE VESSEL

PART #	ITEM DESCRIPTION
SL44368	Radiolucent 80mm (3 1/8")
SL44369	Radiolucent 90mm (3 1/2")
SL44370	Radiolucent 100mm (4")
SL44371	Radiolucent 110mm (4 3/8")
SL44372	Radiolucent 120mm (4 3/4")
SL44373	Radiolucent 130mm (5 1/8")
SL44374	Radiolucent 140mm (5 1/2")
SL44375	Radiolucent 150mm (5 7/8")
SL44376	Radiolucent 160mm (6 1/4")
SL44377	Radiolucent 170mm (6 5/8")
SL44378	Radiolucent 180mm (7")
SL44379	Radiolucent 190mm (7 1/2")
SL44380	Radiolucent 200mm (7 7/8")

ADVANCED MIS REVERSE TAPERED

PART #	ITEM DESCRIPTION
SL44410	Radiolucent 20mm x 100mm (3/4" x 4")
SL44412	Radiolucent 20mm x 110mm (3/4" x 4 3/8")
SL44414	Radiolucent 20mm x 120mm (3/4" x 4 3/4")
SL44416	Radiolucent 20mm x 130mm (3/4" x 5 1/8")
SL44418	Radiolucent 20mm x 140mm (3/4" x 5 1/2")
SL44420	Radiolucent 20mm x 150mm (3/4" x 5 7/8")
SL44422	Radiolucent 20mm x 160mm (3/4" x 6 1/4")
SL44424	Radiolucent 20mm x 170mm (3/4" x 6 5/8")
SL44426	Radiolucent 20mm x 180mm (3/4" x 7")
SL44428	Radiolucent 20mm x 190mm (3/4" x 7 1/2")
SL44430	Radiolucent 20mm x 200mm (3/4" x 7 7/8")

ANTERIOR LUMBAR



BLADE NOTICE

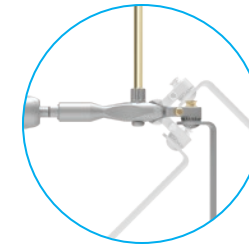
Additional Anterior Lumbar Access blade options shown on pages 24 - 27.

Anterior Lumbar Spine Access

Quick, Versatile Set Up

Thompson's table-mounted Anterior Lumbar Articulating Arm Retractor System contains streamlined components for fast, easy set up. This specialized system utilizes easily adjustable articulating arms to attach retractor blades to a stable, table mounted frame. Articulating arms provide maximum positioning versatility, with the added benefit of multiplanar retraction.

Thompson Retractor Exclusive Features: Thompson is dedicated to offering the most forward thinking, proven, and high quality features. These exclusive, often patented, features define Thompson and allow for Uncompromised Exposure.

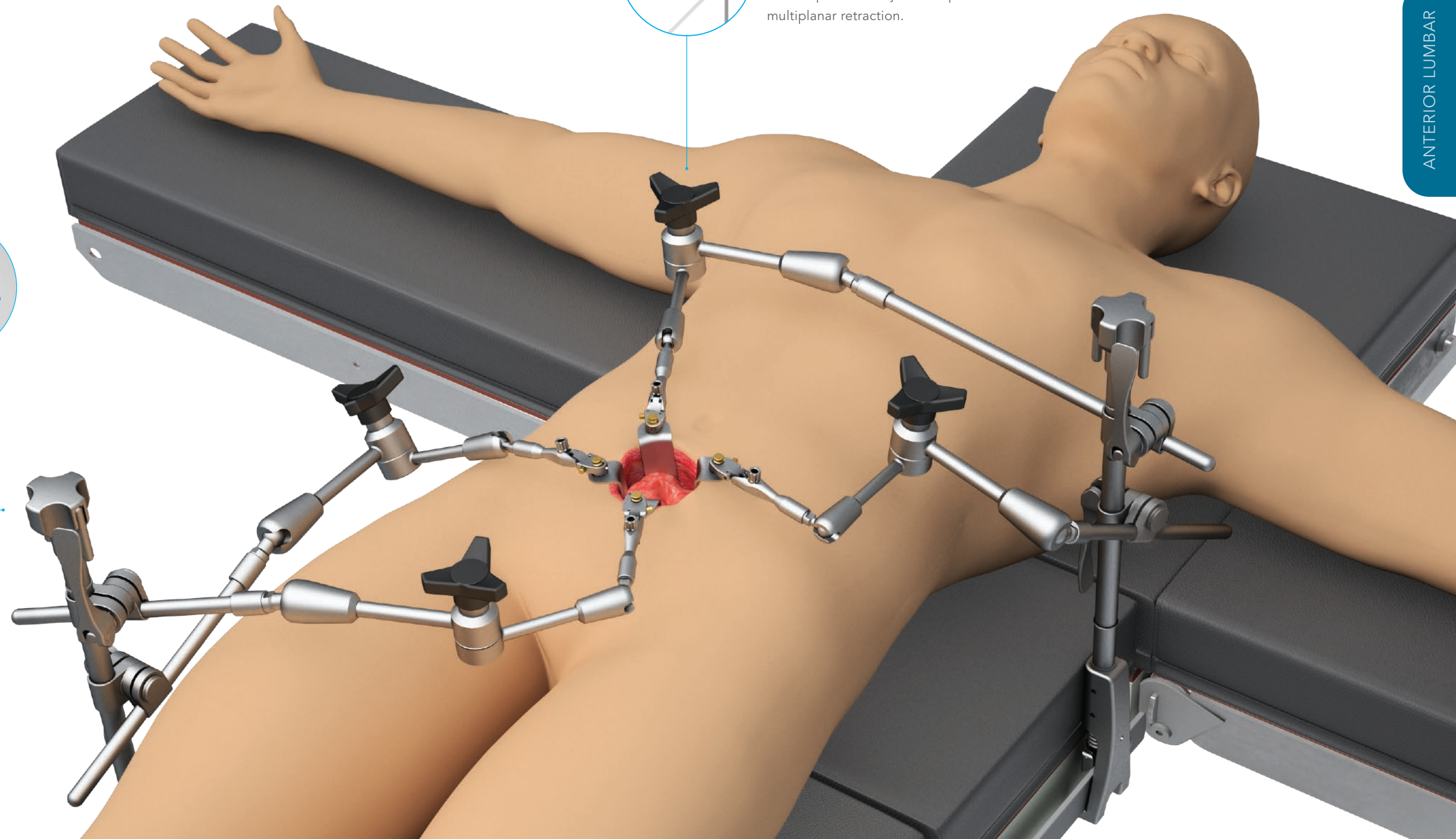


Quick Angle Articulating Arms

Allow for quick, independent adjustments with maximum positioning versatility. Several points of adjustment provide multiplanar retraction.

Sterile Table Mount

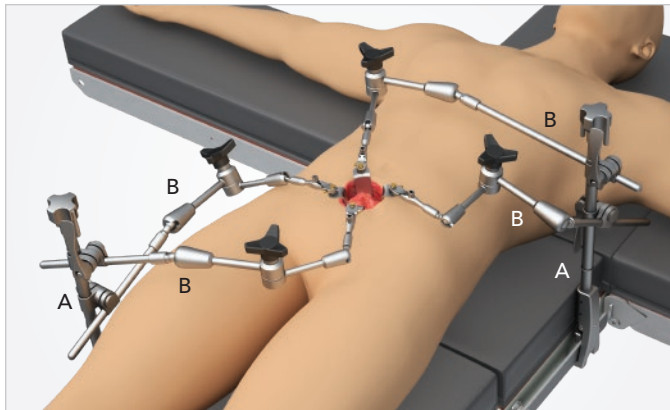
Mounts and adjusts within the sterile field.



ANTERIOR LUMBAR

NEW Anterior Lumbar Articulating Arm System COMPONENTS

Anterior Lumbar Access



ANTERIOR LUMBAR ARTICULATING ARM SYSTEM

#SL82048

REF	PART #	ITEM DESCRIPTION	QTY
Tray 1			
A	43903ACL	Elite III Rail Clamp with 2 Cam Joints 16"	1
B	SL42191G	Quick Angle Articulating Arm 15" x 15 1/2"	2
C	60020	T-Handle	1
D	42228	Manipulator Handle	1
	50000G	Instrument Case (23" x 11" x 3 1/2")	1
Tray 2			
A	43903ACL	Elite III Rail Clamp with 2 Cam Joints 16"	1
B	SL42191G	Quick Angle Articulating Arm 15" x 15 1/2"	2
C	60020	T-Handle	1
D	42228	Manipulator Handle	1
E	SL46432ET	Radio. Richardson 50mm x 160mm (2" x 6 1/4")	1
F	SL46434ET	Radio. Richardson 50mm x 180mm (2" x 7")	1
G	SL46436ET	Radio. Richardson 50mm x 200mm (2" x 7 7/8")	1
	50000G	Instrument Case (23" x 11" x 3 1/2")	1
Tray 3			
H	SL46558	Radiolucent Concave Short Neck Renal 25mm x 80mm (1" x 3 1/8")	4
I	SL46560	Radiolucent Concave Short Neck Renal 25mm x 100mm (1" x 4")	4
J	SL46562	Radiolucent Concave Short Neck Renal 25mm x 120mm (1" x 4 3/4")	4
K	SL46564	Radiolucent Concave Short Neck Renal 25mm x 140mm (1" x 5 1/2")	4
L	SL46566	Radiolucent Concave Short Neck Renal 25mm x 160mm (1" x 6 1/4")	4
M	SL46568	Radiolucent Concave Short Neck Renal 25mm x 180mm (1" x 7")	4
N	SL46570	Radiolucent Concave Short Neck Renal 25mm x 200mm (1" x 7 7/8")	4
	50000ALR	Instrument Case - AL Renal Vein Blades	1

NEW Anterior Lumbar Articulating Arm System COMPONENTS



ANTERIOR LUMBAR



50mm Radiolucent Richardson Blades



25mm Radiolucent Short Neck Renal Blades

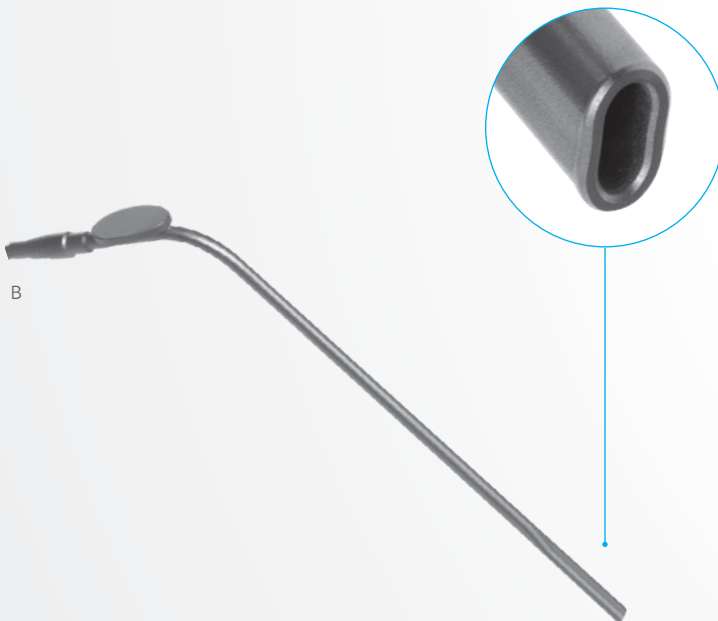
Anterior Lumbar Accessories



Depth Gauge aids in assessment of incision depth to provide quick blade selection.

ANTERIOR LUMBAR DEPTH GAUGE

REF	PART #	ITEM DESCRIPTION
A	51236	Anterior Lumbar Depth Gauge 335mm



Suction for Anterior Lumbar Surgery (SALS) is specially designed to fit narrow collapsed disc spaces, while oval shape helps reduce clogging.

SALS SUCTION TIP

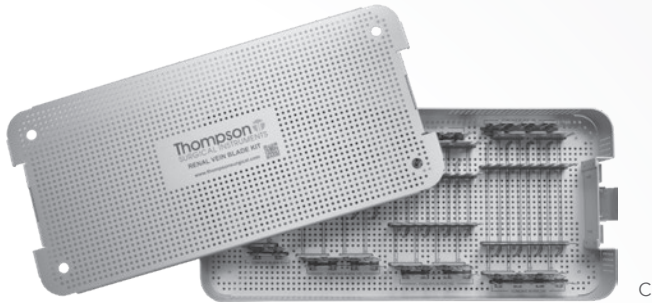
REF	PART #	ITEM DESCRIPTION
B	51234	Suction for Anterior Lumbar Surgery



NOTICE:

Illumination options shown on page 66.

Anterior Lumbar Organized Instrument Cases

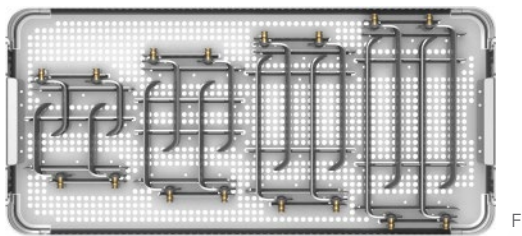


C

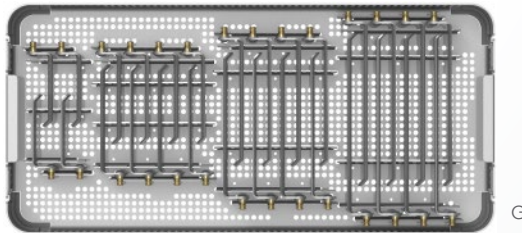


D

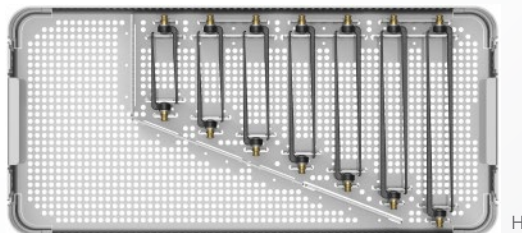
E



F



G



H

ORGANIZED INSTRUMENT CASES

REF	PART #	ITEM DESCRIPTION
C	50000ALR	AL Renal Vein Blades
	50000ALT	Anterior Lumbar
	50000ERL	Expanded Reverse Lip ASA
	50000RLT	Reverse Lip ASA

INSTRUMENT CASE LID AND BASE


(used with Organized Instrument Tray Inserts)

REF	PART #	ITEM DESCRIPTION
D	50000L	Instrument Tray Lid
E	50000U1	Instrument Tray Base - 1 Level 23 1/2" x 10 1/4" x 3"

ORGANIZED INSTRUMENT TRAY INSERTS

(#50000U1 and #50000L required for use)

REF	PART #	ITEM DESCRIPTION
F	50000RB	Instrument Tray Insert - Richardson Blades
G	50000RV	Instrument Tray Insert - Renal Vein Blades
H	50000FV	Instrument Tray Insert - Fine Vessel Blades



"This retractor provides focal and dependable retraction in the space between the transverse processes. This exposure facilitates a transformaminal decompression, pedicle fixation, and intertransverse fusion in those patients in which an open approach is indicated. The system easily adapts to single or multilevel situations."

- Vincent Traynelis, MD

POSTERIOR LUMBAR

MIS PLA® System

Exclusive Features	42-43
System Components	44-45
Blades	46-47
Illumination	48
Organized Instrument Cases	49

Open Posterior Lumbar System

Exclusive Features	50-51
System Components	52-53
Blades + Accessories	54-55

POSTERIOR LUMBAR

MIS Posterior Lumbar Access

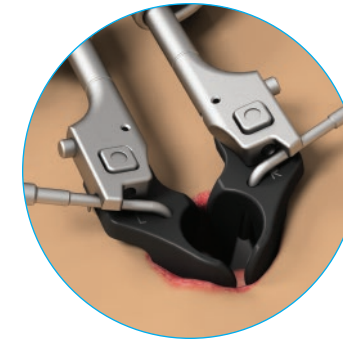
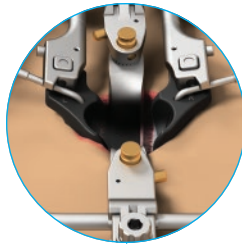
Uncompromised MIS and Mini-Open Posterior Lumbar Exposure

The Thompson MIS Posterior Lumbar Access (PLA®) System provides maximum visualization for the surgeon with minimal incision size. Experience controlled and stable exposure from all directions, utilizing a versatile frame platform with tubular to mini-open exposure options.

Open Posterior Lumbar System also available, see page 50.

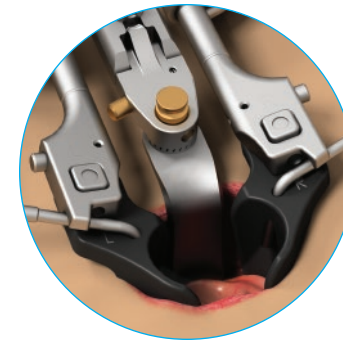
Blade Selection

Black radiolucent Caudal / Cephalad blades reduce glare and improve visualization. Medial and Lateral blades with Lips or Teeth minimize muscle creep & expand exposure.



MIS Tubular Exposure

Low profile, simple set up for tubular or split tube visualization. Integrated lighting eliminates the need for a headlamp.



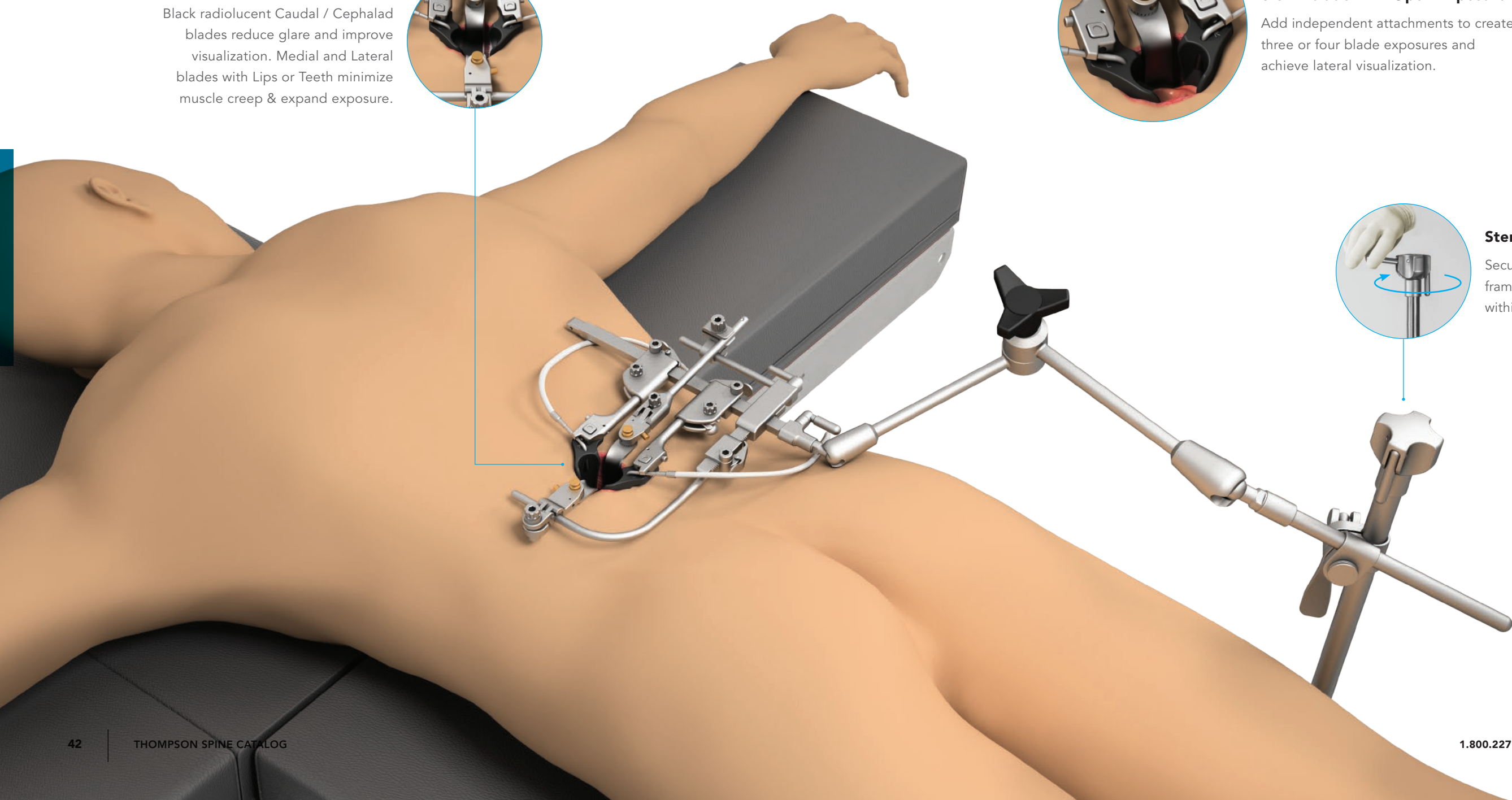
3 or 4 blade Mini-Open Exposure

Add independent attachments to create three or four blade exposures and achieve lateral visualization.



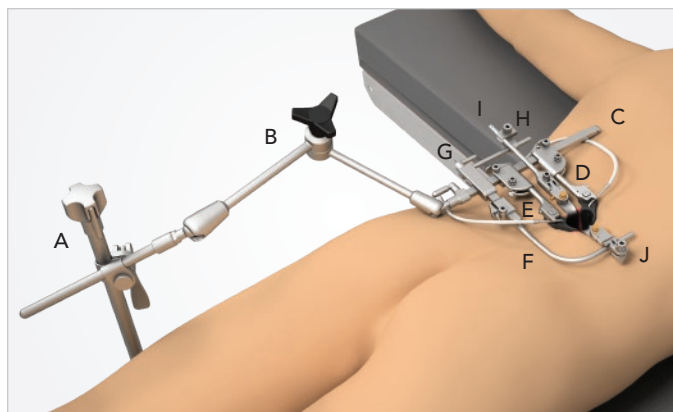
Sterile Mount Rail Clamp

Secure, stable, table-mounted frame mounts and adjusts within the sterile field.



MIS PLA® System COMPONENTS

MIS PLA® System



MIS PLA® SYSTEM

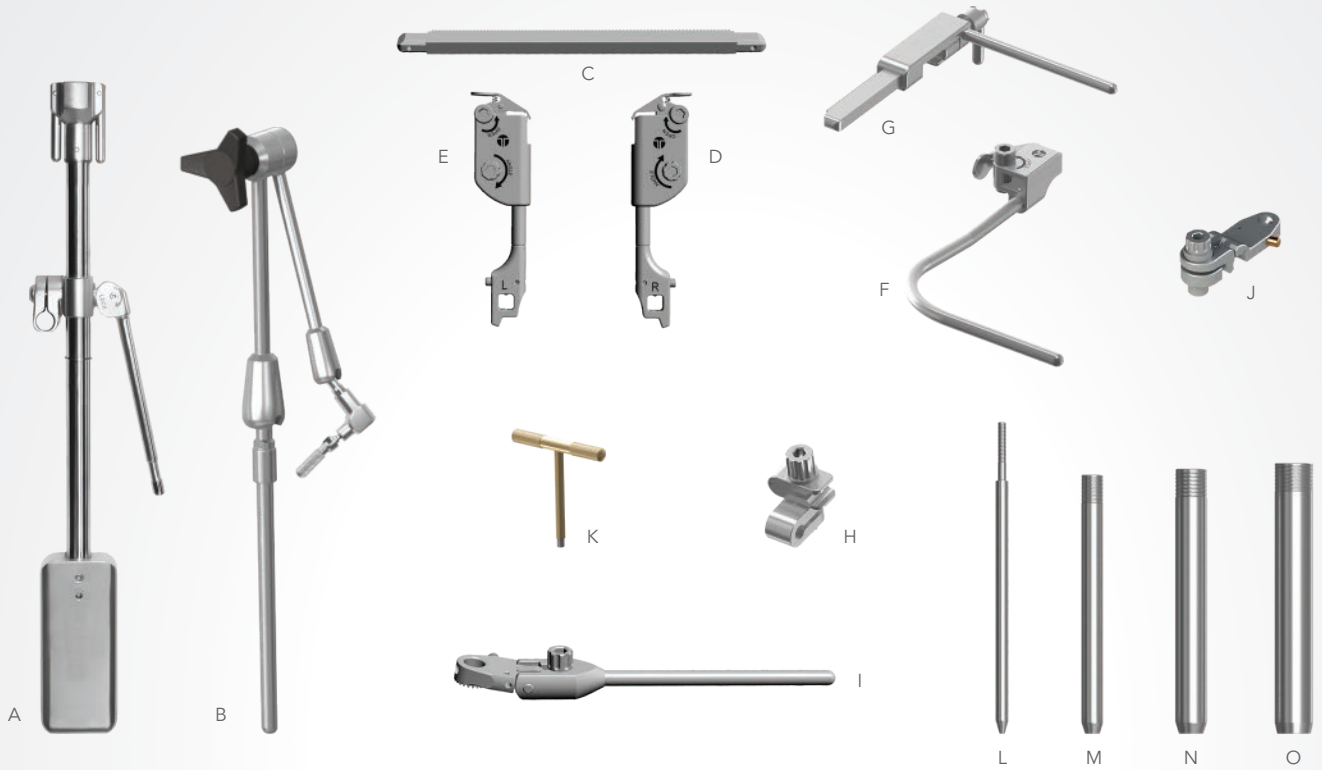
#SL82021

REF	PART #	ITEM DESCRIPTION	QTY
Tray 1			
A	41902ACL	Elite II Rail Clamp with 1 Joint 16"	1
B	42138N	MIS Spine Frame Articulating Arm	1
C	60010	MIS Spine Frame Rack 200mm	1
D	60009	MIS Spine Frame Left Arm	1
E	60008	MIS Spine Frame Right Arm	1
F	47212	MIS Spine Frame U-Bar Add On	1
G	47213	MIS Spine Frame L-Bar Add On	1
H	47205T	¼" Side Clip x ¼" Slide w/Thumb Screw	1
I	SL45003G	S-Lock Quick Angle Handle 6"	1
J	SL45012S	S-Lock Interchangeable Head with ¼" Scissor	1
K	60020	T-Handle	2
	50000MSF	Instrument Case - MIS Spine Frame	1
Tray 2			
L	45831	Dilator #1 - 7mm	1
M	45832	Dilator #2 - 12mm	1
N	45833	Dilator #3 - 17mm	1
O	45834	Dilator #4 - 21mm	1
P	45924R	Caudal/Cephalad Right 22mm x 40mm	1
Q	45924L	Caudal/Cephalad Left 22mm x 40mm	1
R	45925R	Caudal/Cephalad Right 22mm x 50mm	1
S	45925L	Caudal/Cephalad Left 22mm x 50mm	1
T	45926R	Caudal/Cephalad Right 22mm x 60mm	1

(MIS PLA® SYSTEM #SL82021 CONTINUED)

REF	PART #	ITEM DESCRIPTION	QTY
U	45926L	Caudal/Cephalad Left 22mm x 60mm	1
V	45927R	Caudal/Cephalad Right 22mm x 70mm	1
W	45927L	Caudal/Cephalad Left 22mm x 70mm	1
X	45928R	Caudal/Cephalad Right 22mm x 80mm	1
Y	45928L	Caudal/Cephalad Left 22mm x 80mm	1
Z	45929R	Caudal/Cephalad Right 22mm x 90mm	1
1	45929L	Caudal/Cephalad Left 22mm x 90mm	1
2	45930R	Caudal/Cephalad Right 22mm x 100mm	1
3	45930L	Caudal/Cephalad Left 22mm x 100mm	1
4	45931R	Caudal/Cephalad Right 22mm x 110mm	1
5	45931L	Caudal/Cephalad Left 22mm x 110mm	1
6	45932R	Caudal/Cephalad Right 22mm x 120mm	1
7	45932L	Caudal/Cephalad Left 22mm x 120mm	1
8	SL46704AT	PLA Medial/Lateral w/Lip 40mm	1
9	SL46705AT	PLA Medial/Lateral w/Lip 50mm	1
10	SL46706AT	PLA Medial/Lateral w/Lip 60mm	1
11	SL46707AT	PLA Medial/Lateral w/Lip 70mm	1
12	SL46708AT	PLA Medial/Lateral w/Lip 80mm	1
13	SL46709AT	PLA Medial/Lateral w/Lip 90mm	1
14	SL46710AT	PLA Medial/Lateral w/Lip 100mm	1
15	SL46711AT	PLA Medial/Lateral w/Lip 110mm	1
16	SL46712AT	PLA Medial/Lateral w/Lip 120mm	1
17	SL46604ATT	PLA M/L w/Fine Teeth 13½mm x 40mm	1
18	SL46605ATT	PLA M/L w/Fine Teeth 13½mm x 50mm	1
19	SL46606ATT	PLA M/L w/Fine Teeth 13½mm x 60mm	1
20	SL46607ATT	PLA M/L w/Fine Teeth 13½mm x 70mm	1
21	SL46608ATT	PLA M/L w/Fine Teeth 13½mm x 80mm	1
22	SL46609ATT	PLA M/L w/Fine Teeth 13½mm x 90mm	1
23	SL46610ATT	PLA M/L w/Fine Teeth 13½mm x 100mm	1
24	SL46611ATT	PLA M/L w/Fine Teeth 13½mm x 110mm	1
25	SL46612ATT	PLA M/L w/Fine Teeth 13½mm x 120mm	1
	50000PLA	Instrument Case - PLA Blades and Sequential Dilators	1

MIS PLA® System COMPONENTS



POSTERIOR LUMBAR



Caudal / Cephalad

Left and Right black radiolucent blades reduce glare and improve visualization. Compatible with MIS PLA® System only.



Medial / Lateral with Lip

Minimize muscle creep & expand exposure.

CAUDAL / CEPHALAD

PART #	ITEM DESCRIPTION
45924R	Radiolucent Right 22mm x 40mm (7/8" x 1 1/2")
45924L	Radiolucent Left 22mm x 40mm (7/8" x 1 1/2")
45925R	Radiolucent Right 22mm x 50mm (7/8" x 2")
45925L	Radiolucent Left 22mm x 50mm (7/8" x 2")
45926R	Radiolucent Right 22mm x 60mm (7/8" x 2 3/8")
45926L	Radiolucent Left 22mm x 60mm (7/8" x 2 3/8")
45927R	Radiolucent Right 22mm x 70mm (7/8" x 2 3/4")
45927L	Radiolucent Left 22mm x 70mm (7/8" x 2 3/4")
45928R	Radiolucent Right 22mm x 80mm (7/8" x 3 1/8")
45928L	Radiolucent Left 22mm x 80mm (7/8" x 3 1/8")
45929R	Radiolucent Right 22mm x 90mm (7/8" x 3 1/2")
45929L	Radiolucent Left 22mm x 90mm (7/8" x 3 1/2")
45930R	Radiolucent Right 22mm x 100mm (7/8" x 4")
45930L	Radiolucent Left 22mm x 100mm (7/8" x 4")
45931R	Radiolucent Right 22mm x 110mm (7/8" x 4 3/8")
45931L	Radiolucent Left 22mm x 110mm (7/8" x 4 3/8")
45932R	Radiolucent Right 22mm x 120mm (7/8" x 4 3/4")
45932L	Radiolucent Left 22mm x 120mm (7/8" x 4 3/4")

MEDIAL / LATERAL WITH LIP

PART #	ITEM DESCRIPTION
SL46704AT	Radiolucent 13.5mm x 40mm (1/2" x 1 1/2")
SL46705AT	Radiolucent 13.5mm x 50mm (1/2" x 2")
SL46706AT	Radiolucent 13.5mm x 60mm (1/2" x 2 3/8")
SL46707AT	Radiolucent 13.5mm x 70mm (1/2" x 2 3/4")
SL46708AT	Radiolucent 13.5mm x 80mm (1/2" x 3 1/8")
SL46709AT	Radiolucent 13.5mm x 90mm (1/2" x 3 1/2")
SL46710AT	Radiolucent 13.5mm x 100mm (1/2" x 4")
SL46711AT	Radiolucent 13.5mm x 110mm (1/2" x 4 3/8")
SL46712AT	Radiolucent 13.5mm x 120mm (1/2" x 4 3/4")



Medial / Lateral with Fine Teeth

Minimize muscle creep & expand exposure.



Hook

Hook blades are ideal for medial side.

MEDIAL / LATERAL WITH FINE TEETH

PART #	ITEM DESCRIPTION
SL46604ATT	Radiolucent 13.5mm x 40mm (1/2" x 1 1/2")
SL46605ATT	Radiolucent 13.5mm x 50mm (1/2" x 2")
SL46606ATT	Radiolucent 13.5mm x 60mm (1/2" x 2 3/8")
SL46607ATT	Radiolucent 13.5mm x 70mm (1/2" x 2 3/4")
SL46608ATT	Radiolucent 13.5mm x 80mm (1/2" x 3 1/8")
SL46609ATT	Radiolucent 13.5mm x 90mm (1/2" x 3 1/2")
SL46610ATT	Radiolucent 13.5mm x 100mm (1/2" x 4")
SL46611ATT	Radiolucent 13.5mm x 110mm (1/2" x 4 3/8")
SL46612ATT	Radiolucent 13.5mm x 120mm (1/2" x 4 3/4")

HOOK

PART #	ITEM DESCRIPTION
SL45764	40mm (1 1/2")
SL45765	50mm (2")
SL45766	60mm (2 3/8")
SL45767	70mm (2 3/4")
SL45768	80mm (3 1/8")
SL45769	90mm (3 1/2")
SL45770	100mm (4")
SL45771	110mm (4 3/8")
SL45772	120mm (4 3/4")

MIS PLA® Illumination



MIS Retractor Lite LED lights attach directly to your MIS PLA® Retractor System blades for low profile illumination.



NOTICES:

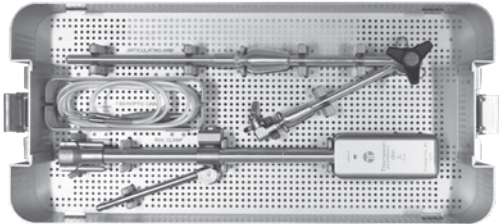
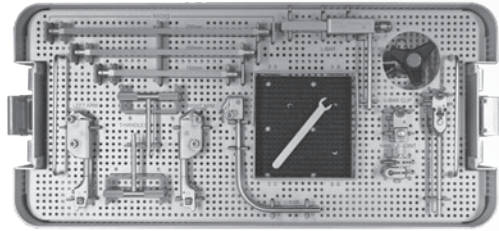
LED Light Source (#LLS-2000-2) required for MIS Retractor Lite LED.

Blades sold separately.

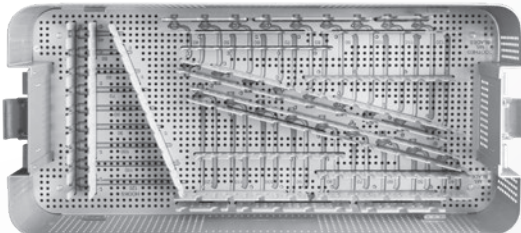
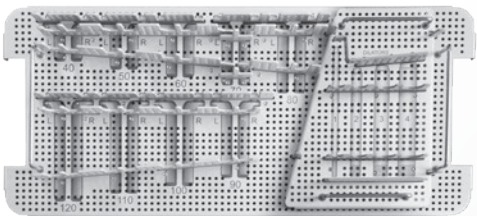
MIS RETRACTOR LITE LED KIT #40001MIS

REF	PART #	ITEM DESCRIPTION	QTY
A	40002MIS	MIS Retractor Lite LED	1
B	LLS-2000-2	LED Light Source	1

MIS PLA® Organized Instrument Cases



C



D

MIS PLA® ORGANIZED INSTRUMENT CASES

REF	PART #	ITEM DESCRIPTION
C	50000MSF	MIS Spine Frame
D	50000PLA	MIS PLA®

POSTERIOR LUMBAR

Open Posterior Lumbar Lumbar Access

Narrow to Wide Exposure for Complex Needs

When MIS isn't an option, open approaches may become necessary. The open Posterior Lumbar System is ideal for various procedures from deformity correction to discectomies.

MIS PLA® System also available, see page 42.

*"This retractor provides **focal and dependable retraction** in the space between the transverse processes. This exposure facilitates a transformininal decompression, pedicle fixation, and intertransverse fusion in those patients in which an open approach is indicated. The system **easily adapts to single or multilevel situations.**"*

- Vincent Traynelis, MD

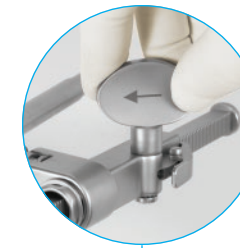
Sterile Mount Rail Clamp

Secure, stable, table-mounted frame mounts and adjusts within the sterile field.



Blade Sizes

Blades come in three widths for single to multi levels, and extra deep lengths to accommodate larger patients.



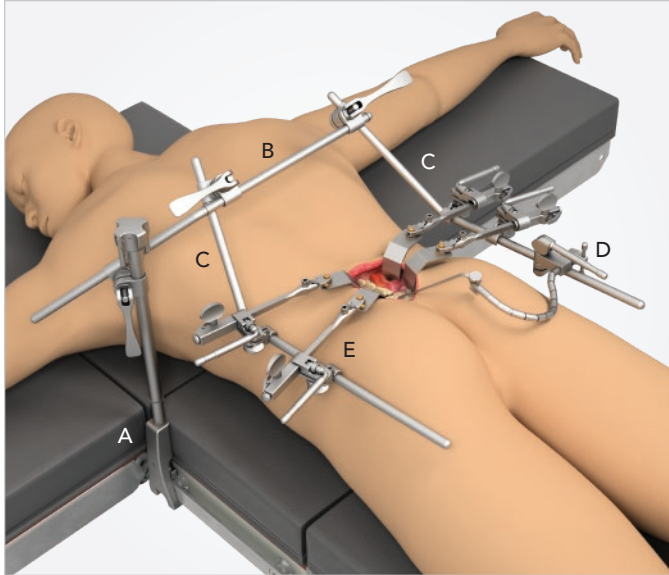
Micro-Adjustable Technology

Micro-Adjustable Handles enable increased leverage and precise blade retraction with micro-adjustability.

POSTERIOR LUMBAR

Open Posterior Lumbar System COMPONENTS

Open Posterior Lumbar Set Up

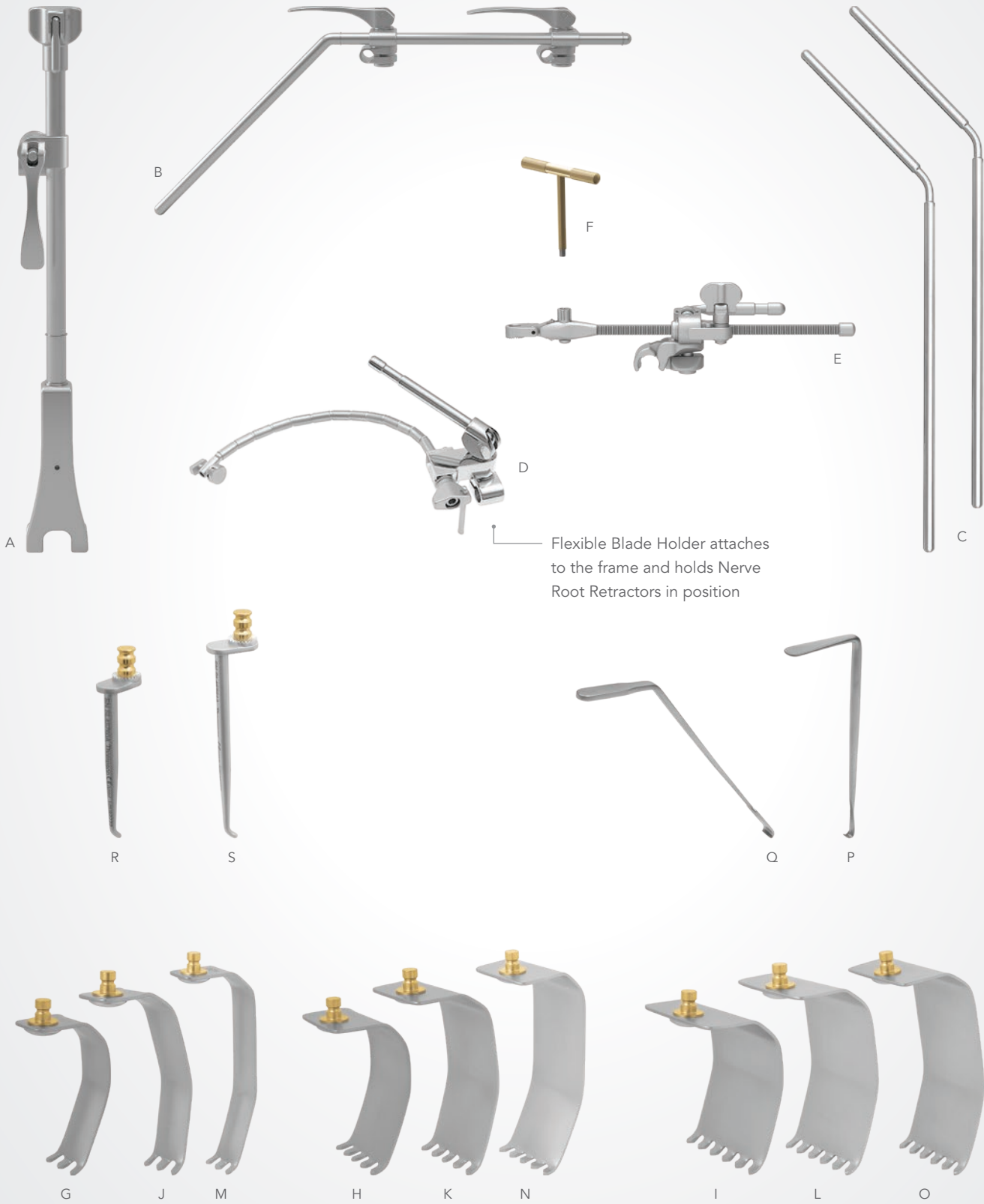


POSTERIOR LUMBAR SYSTEM

#SL82020

REF	PART #	ITEM DESCRIPTION	QTY
Tray 1			
A	43902ACL	Elite III Rail Clamp with 1 Cam Joint 16"	1
B	43900BC	Crossbar w/2 Cam Joints 24" (11" x 13")	1
C	44124N	24" Angled Arm (8" x 16") @ 45°	2
D	42140C	Flexible Blade Holder with Cam Joint	1
E	SL45011CGP	Mini Micro-Adjustable II Clip-on Quick Angle 9"	4
F	60020	T-Handle	2
	50000G	Instrument Case (23" x 11" x 3 1/2")	1
Tray 2			
G	SO45670ATTC	Radiolucent Concave Posterior Lumbar 23mm x 80mm (1" x 3 1/8")	2
H	SO45671ATTC	Radiolucent Concave Posterior Lumbar 45mm x 80mm (1 3/4" x 3 1/8")	2
I	SO45672ATTC	Radiolucent Concave Posterior Lumbar 60mm x 80mm (2 3/8" x 3 1/8")	2
J	SO45673ATTC	Radiolucent Concave Posterior Lumbar 23mm x 100mm (1" x 4")	2
K	SO45674ATTC	Radiolucent Concave Posterior Lumbar 45mm x 100mm (1 3/4" x 4")	2
L	SO45675ATTC	Radiolucent Concave Posterior Lumbar 60mm x 100mm (2 3/8" x 4")	2
M	SO45676ATTC	Radiolucent Concave Posterior Lumbar 23mm x 120mm (1" x 4 3/4")	2
N	SO45677ATTC	Radiolucent Concave Posterior Lumbar 45mm x 120mm (1 3/4" x 4 3/4")	2
O	SO45678ATTC	Radiolucent Concave Posterior Lumbar 60mm x 120mm (2 3/8" x 4 3/4")	2
P	45752A	Nerve Root Retractor 90° 5mm x 123mm (1/4" x 4 7/8")	1
Q	45753A	Nerve Root Retractor 45° 8mm x 145mm (3/8" x 5 3/4")	1
R	SL45760A	Prong Retractor 75mm (3")	1
S	SL45761A	Prong Retractor 100mm (4")	1
	50000G	Instrument Case (23" x 11" x 3 1/2")	1

Open Posterior Lumbar System COMPONENTS



POSTERIOR LUMBAR



Concave Posterior Lumbar

Lateral muscle retraction for posterior lumbar procedures.

CONCAVE POSTERIOR LUMBAR

PART #	ITEM DESCRIPTION
SO45670ATTC	Radiolucent 23mm x 80mm (7/8" x 3 1/8")
SO45671ATTC	Radiolucent 45mm x 80mm (1 3/4" x 3 1/8")
SO45672ATTC	Radiolucent 60mm x 80mm (2 3/8" x 3 1/8")
SO45673ATTC	Radiolucent 23mm x 100mm (7/8" x 4")
SO45674ATTC	Radiolucent 45mm x 100mm (1 3/4" x 4")
SO45675ATTC	Radiolucent 60mm x 100mm (2 3/8" x 4")
SO45676ATTC	Radiolucent 23mm x 120mm (7/8" x 4 3/4")
SO45677ATTC	Radiolucent 45mm x 120mm (1 3/4" x 4 3/4")
SO45678ATTC	Radiolucent 60mm x 120mm (2 3/8" x 4 3/4")
SO45679ATTC	Radiolucent 23mm x 150mm (7/8" x 5 7/8")
SO45680ATTC	Radiolucent 45mm x 150mm (1 3/4" x 5 7/8")
SO45681ATTC	Radiolucent 60mm x 150mm (2 3/8" x 5 7/8")
SO45682ATTC	Radiolucent 23mm x 180mm (7/8" x 7")
SO45683ATTC	Radiolucent 45mm x 180mm (1 3/4" x 7")
SO45684ATTC	Radiolucent 60mm x 180mm (2 3/8" x 7")



Prong Retractors

Retracts off of the spinous process, or bone, to increase access around the retractor for procedures such as drilling.

PRONG RETRACTORS

PART #	ITEM DESCRIPTION
SL45760A	75mm (3")
SL45761A	100mm (4")



Nerve Root Retractors

Held in place by the Flexible Blade Holder and provide posterior lumbar nerve root retraction.

NERVE ROOT RETRACTORS

PART #	ITEM DESCRIPTION
45752A	90° 5mm x 123mm (1/4" x 4 7/8")
45753A	45° 8mm x 145mm (3/8" x 5 3/4")



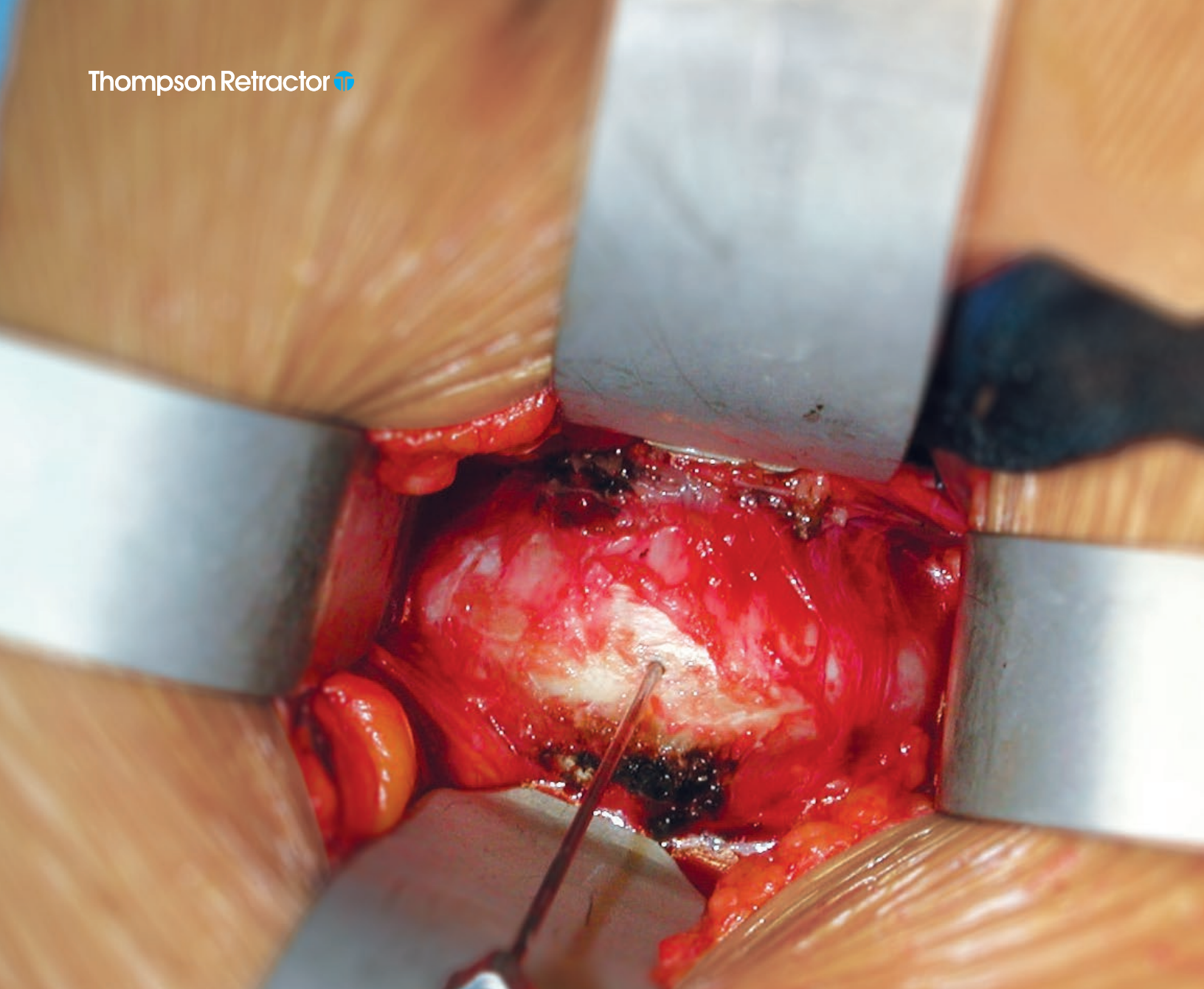
Flexible Blade Holder

Attaches Nerve Root Retractors to the frame as needed.

FLEXIBLE BLADE HOLDER

PART #	ITEM DESCRIPTION
42140C	Flexible Blade Holder with Cam Joint

(For use with Nerve Root Retractors)



“The Thompson AL Brau Blades have become essential for the Anterior Mini-Open approach to the lumbar spine with a proven 15 year track record of safety. You get steady, rock solid exposure providing excellent visualization throughout without the need to re-adjust thus saving time by reducing the ‘fiddle factor.’”

- Salvador A. Brau, MD, FACS

COMPONENTS

System Frame Components + Accessories

Rail Clamps.....	58-59
Table Adapter.....	59
Rail Extenders.....	59
Crossbars.....	60
Frame Arms.....	60
Extension Arms.....	61
Retractor Handles.....	62-65
Illumination.....	66
Instrument Cases.....	67

Elite III Rail Clamps



Top control of the **Elite III Rail Clamp** allows attachment to the OR table within the sterile field.



Elite III Rail Clamps feature improved, ergonomic Cam III Joints.

ELITE III RAIL CLAMPS

REF	PART #	ITEM DESCRIPTION
A	43902ACS	11" (25cm) with 1 Cam Joint
	43902ACL	16" (41cm) with 1 Cam Joint
B	43902AC	18" (45cm) with 1 Cam Joint
	43903AC	18" (45cm) with 2 Cam Joints
	43903ACL	16" (41cm) with 2 Cam Joints
	43904AC	22" (55cm) with 1 Cam Joint
	43905AC	22" (55cm) with 2 Cam Joints
	43906AC	26" (65cm) with 1 Cam Joint
43907AC	26" (65cm) with 2 Cam Joints	
	43902S	11" (25cm) with 1 3/8" Cam Joint

Infinite Height Rail Clamps + Rail Extenders

Infinite Height Rail Clamp (IHRC) quickly adjusts to any height between 13" - 22" and accommodates all patient sizes.



C

INFINITE HEIGHT RAIL CLAMPS (IHRC)

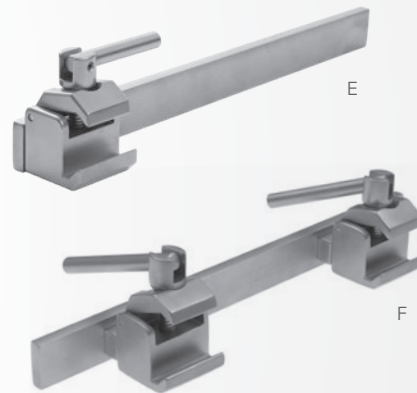
REF	PART #	ITEM DESCRIPTION
C	43902IRC	IHRC with 1 Cam Joint
	43903IRC	IHRC with 2 Cam Joints



D

TABLE ADAPTER

REF	PART #	ITEM DESCRIPTION
D	41927	Jackson Spine Frame Adapter



E

F

Apply a **Rail Extender** to increase rail length or width and provide more attachment options for the rail clamps.

RAIL EXTENDERS

REF	PART #	ITEM DESCRIPTION
E	5844	15" with 1 Power Rail Clamp
	41938	20" with 1 Power Rail Clamp
F	41917	14" with 2 Power Rail Clamps Offset
	41929	22" with 2 Power Rail Clamps

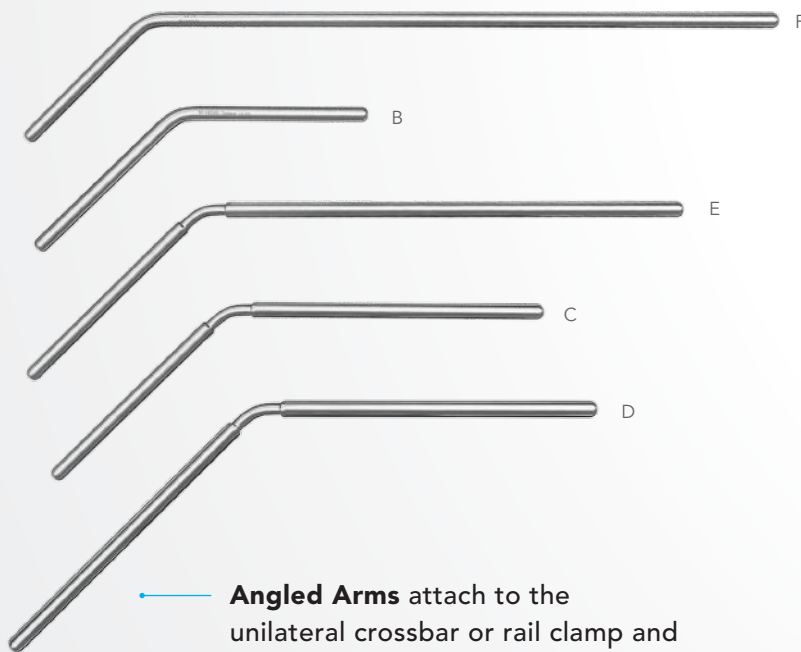
Crossbars + Frame Arms



Unilateral **Crossbar** attaches to the rail clamp and holds the angled arms in place around the incision. May also support retractor handles.

CROSSBARS

REF	PART #	ITEM DESCRIPTION
A	43900BC	24" with 2 Cam III Joints (11" x 13")
	43900BCW	24" with 2 Cam III Joints (8" x 16")

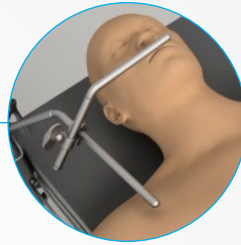


ANGLED LATERAL ARMS

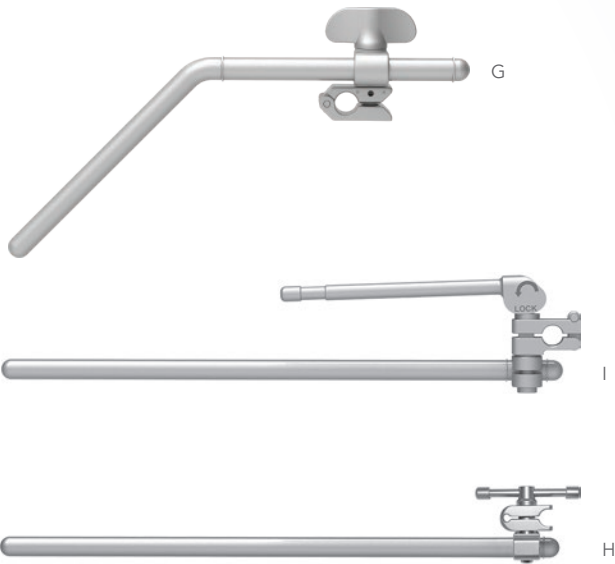
REF	PART #	ITEM DESCRIPTION
B	44014S	12" (6" x 6")
	44117N	17" (7" x 10")
C	44118N	18" (8" x 10")
D	44120	20" (10" x 10")
	44124W	24" (11" x 13")
E	44124N	24" (8" x 16")
F	44126	26" (6" x 20")
	44119	19" (12" x 7") (3/8") @ 45°
	44117	17" (7" x 10") (3/8") @ 45°

Angled Arms attach to the unilateral crossbar or rail clamp and hold the retractor handles in place.

Extension Arms



Extension Arm may be added to create additional upward retraction for cervical exposures.



EXTENSION ARMS

REF	PART #	ITEM DESCRIPTION
G	44012H	12" with Spring Hinge Joint
	44014HS	12" with Hinge Joint
	44014LC	12" with Cam Latch Joint
H	44014C	14" with Clip Joint
	44016C	16" with Clip Joint
	44020C	20" with Clip Joint
	44115	Hinged 12" x 12"
I	44614LC	14" with Cam Latch Mount

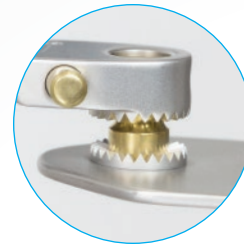


STRAIGHT ARMS

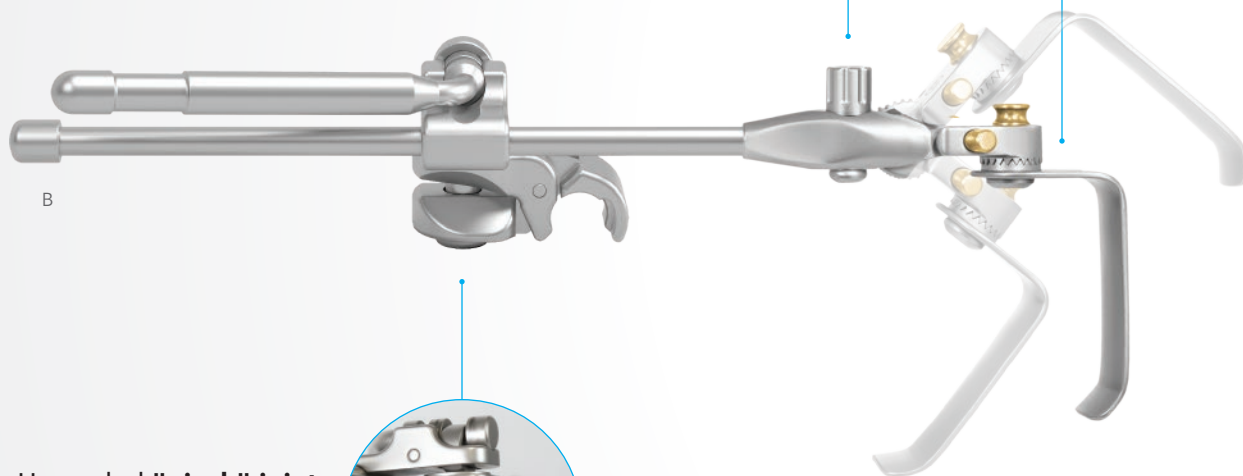
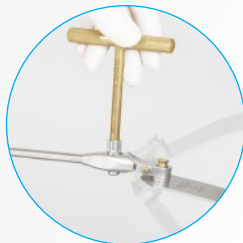
REF	PART #	ITEM DESCRIPTION
	44012N	12"
J	44120N	20"
	44118C	18" with 1 Cam Joint
K	44120C	20" with 1 Cam Joint

Retractor Handles CAM II CLIP-ON

S-Lock® Technology provides the option to naturally align with tissue in the 'swivel' position, or precisely place blades in 'locked' position, with the push of a button.



NEW Quick Angle Handles, allow blades to be toed in or out 45° to help maintain a low-profile operating field and achieve better exposure.



Upgraded "pinch" joint feature allows for easier removal from frame.



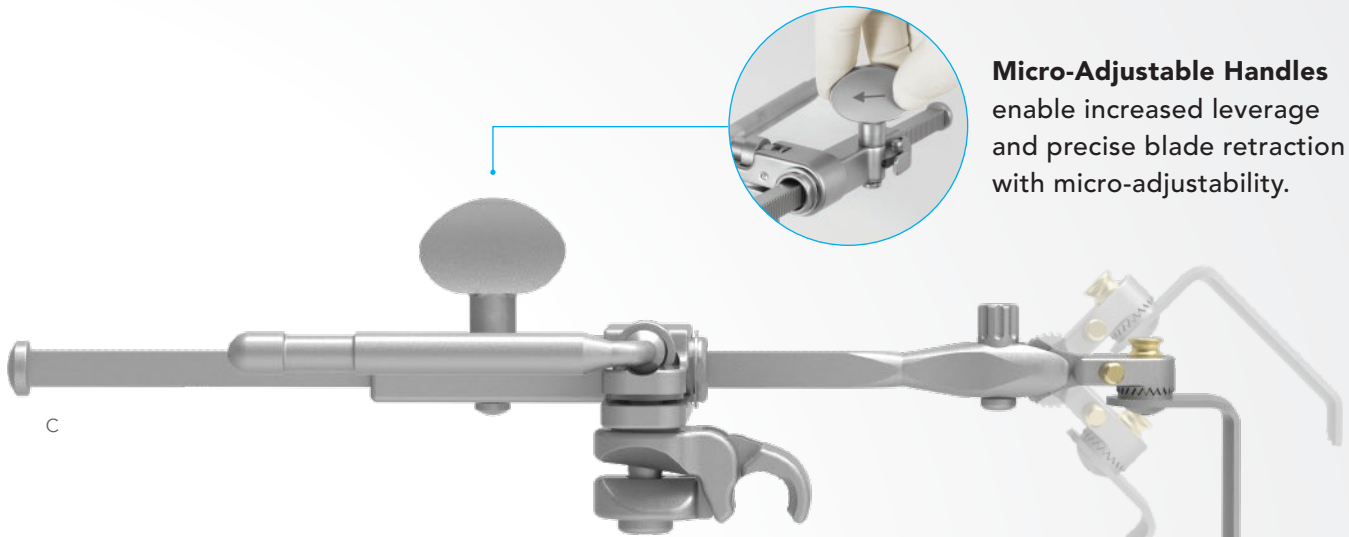
T-HANDLE

REF	PART #	ITEM DESCRIPTION
A	60020	T-Handle

CAM II CLIP-ON HANDLES

REF	PART #	ITEM DESCRIPTION
B	SL42126WGP	Cam II Clip-on Quick Angle 8"
	SL42126WGLP	Cam II Clip-on Quick Angle 10"
	SL42126WHP	Cam II Clip-on 8" (non-angling)
	SL42126WHLP	Cam II Clip-On 10" (non-angling)
	SL42127WGP	Cam II Clip-on Quick Angle 8" (½")

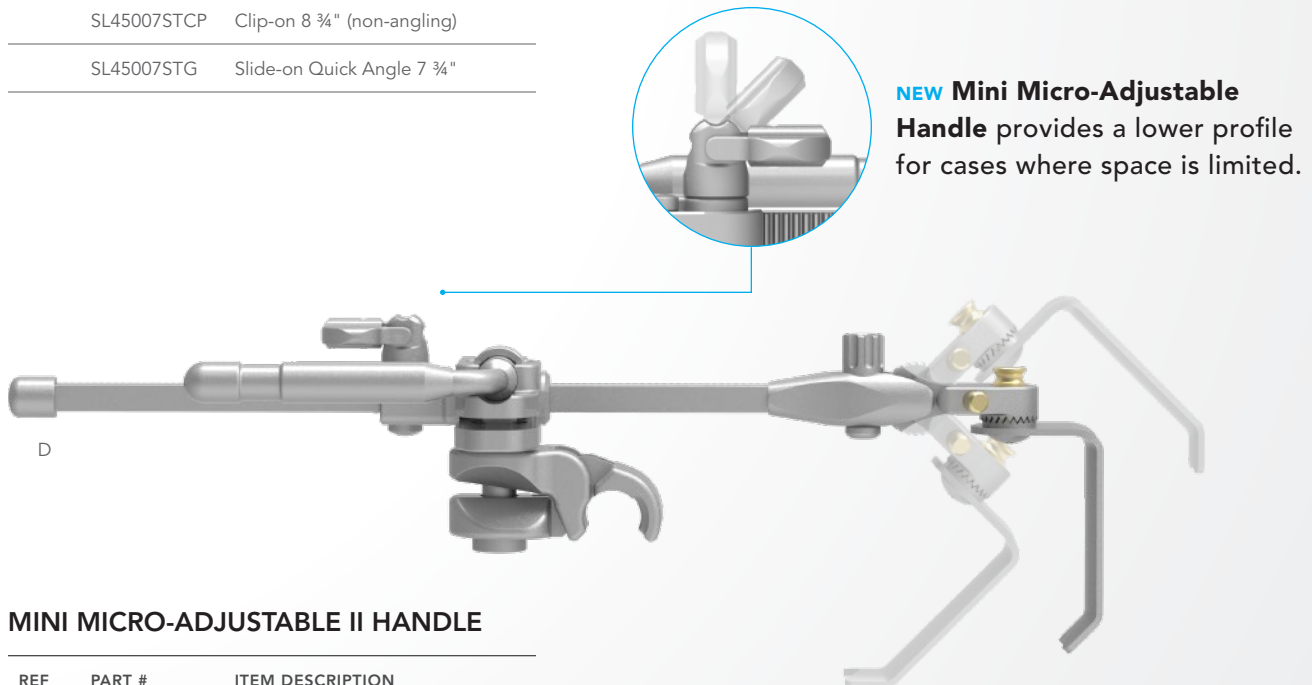
Retractor Handles MICRO-ADJUSTABLE II



Micro-Adjustable Handles enable increased leverage and precise blade retraction with micro-adjustability.

MICRO-ADJUSTABLE II HANDLES

REF	PART #	ITEM DESCRIPTION
C	SL45006CGP	Clip-on Quick Angle 10°
	SL45007CGP	Clip-on Quick Angle 7 ¾°
	SL45006CGRP	Clip-on Quick Angle 15°
	SL45007PGP	Clip-on Quick Angle 20°
	SL45006STCP	Clip-on 10 ¾° (non-angling)
	SL45007STCP	Clip-on 8 ¾° (non-angling)
	SL45007STG	Slide-on Quick Angle 7 ¾°



NEW Mini Micro-Adjustable Handle provides a lower profile for cases where space is limited.

MINI MICRO-ADJUSTABLE II HANDLE

REF	PART #	ITEM DESCRIPTION
D	SL45011CGP	Clip-on Quick Angle 9°

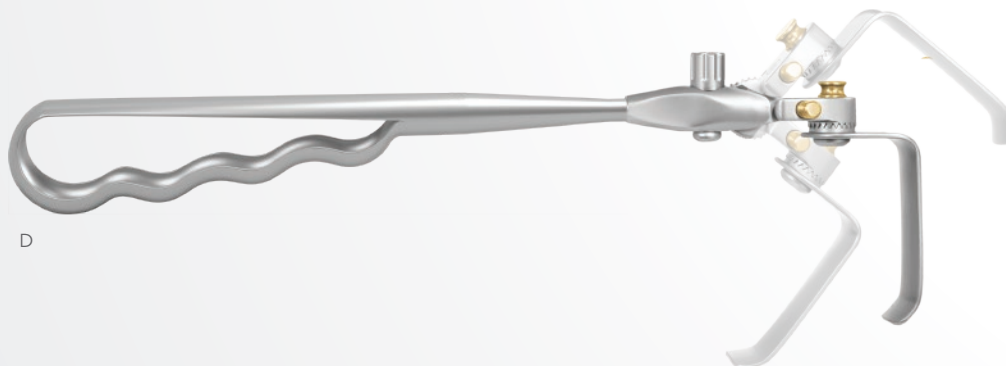
Retractor Handles TWO-PIECE HANDLES + JOINTS / HAND HELD ADAPTER



Screw down **Universal Joints** provide extra controlled blade placement of **S-Lock® Handles**.

UNIVERSAL JOINTS + S-LOCK HANDLES

REF	PART #	ITEM DESCRIPTION
A	SL45003GS	Quick Angle Handle 8"
	SL45003GSL	Quick Angle Handle 10"
	SL45003L	Handle 8" (non-angling)
	SL45003LM	Handle 10" (non-angling)
B	42126NCP	Clip-on Joint 1/2" x 1/4"
C	42125N	Slide-on Joint 1/2" x 1/4"



QUICK ANGLE HAND HELD ADAPTER

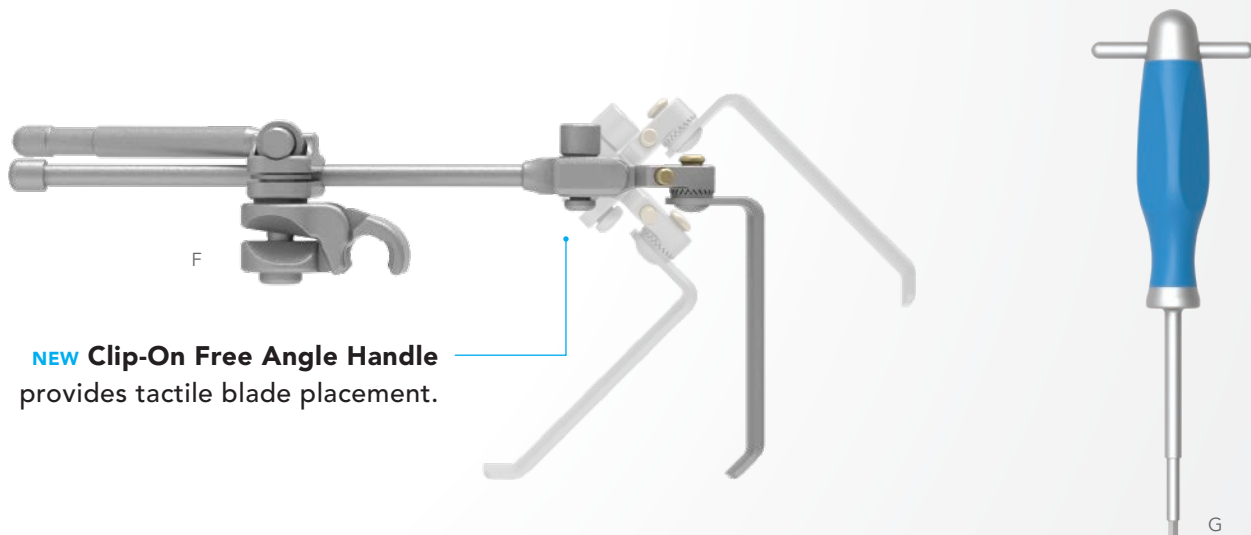
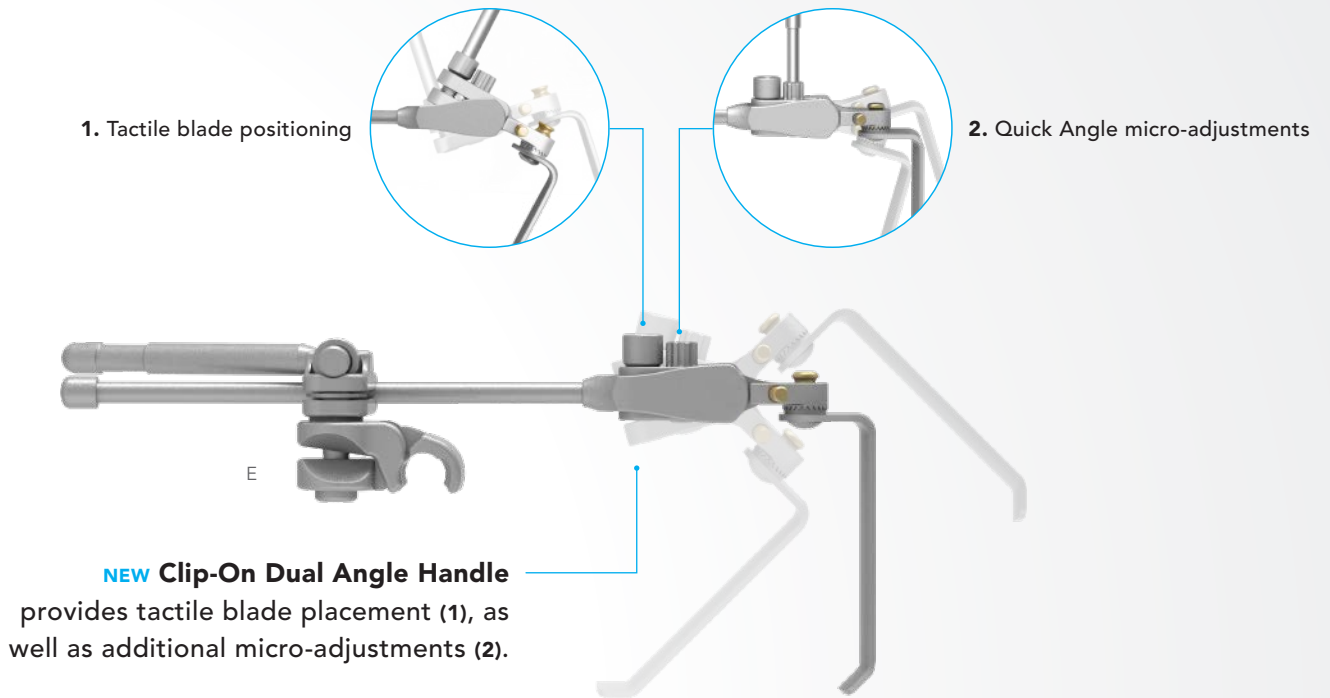
REF	PART #	ITEM DESCRIPTION
D	SL42128G	Quick Angle Hand Held Adapter



NON-THOMPSON RETRACTOR SYSTEM USERS:

Thompson's innovative S-Lock® Quick Angle technology and blades may be added to other retractor systems with the use of an adapter handle. Call or visit us online for ordering information.

Retractor Handles DUAL ANGLE + FREE ANGLE CLIP-ON



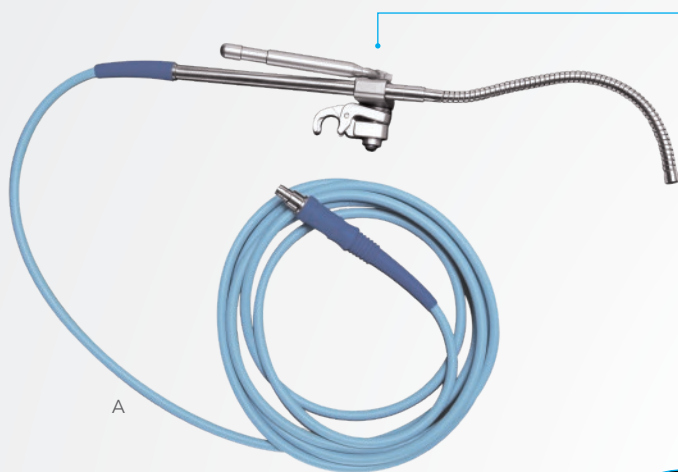
DUAL ANGLE + FREE ANGLE HANDLES

REF	PART #	ITEM DESCRIPTION
E	SL42126WDP	Clip-On Dual Angle 8"
F	SL42126WFP	Clip-On Free Angle 8"

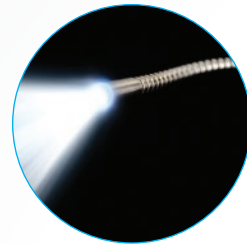
HEX TOOL

REF	PART #	ITEM DESCRIPTION
G	60021	Hex Tool 3/16" with T-Handle

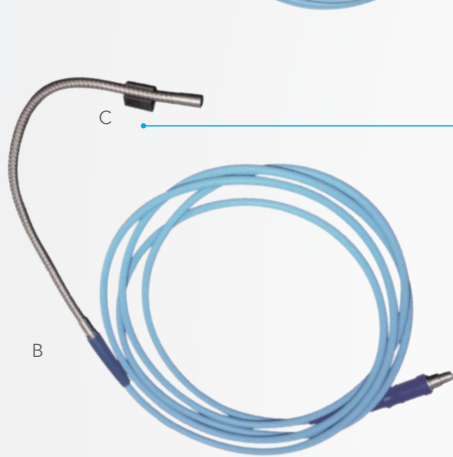
Illumination



Lite Wand Xe easily clips anywhere on your Thompson Retractor frame. (Optionally, lite may be attached to any Thompson Retractor blade with a single use Lite Clip.)



The **bendable gooseneck** allows light to reach the deepest cavities, improving illumination where it is needed most.



Attach **Lite Wand Xe** or **Retractor Lite Xe** to any Thompson Retractor blade with the use of a single use **Lite Clip**.



XENON LIGHTS

REF	PART #	ITEM DESCRIPTION
A	40020X	Lite Wand Xe with ACMI Cable
B	40020RX	Retractor Lite Xe * with ACMI Cable

* Lite Clip (#40024) required for use of Retractor Lite Xe.

LITE CLIP (SINGLE USE)

REF	PART #	ITEM DESCRIPTION
C	40024	Lite Clip - Single Use (Radiopaque)



LITE CABLE ADAPTERS

REF	PART #	ITEM DESCRIPTION
D	40017	Lite Wand II Olympus Adapter
E	40018	Lite Wand II Wolf Adapter
F	40019	Lite Wand II Storz Adapter

LITE INSTRUMENT TRAY

REF	PART #	ITEM DESCRIPTION
G	50000LW	Instrument Case - Lite Wand



NOTICE:

Xenon light source (not included) required for use.

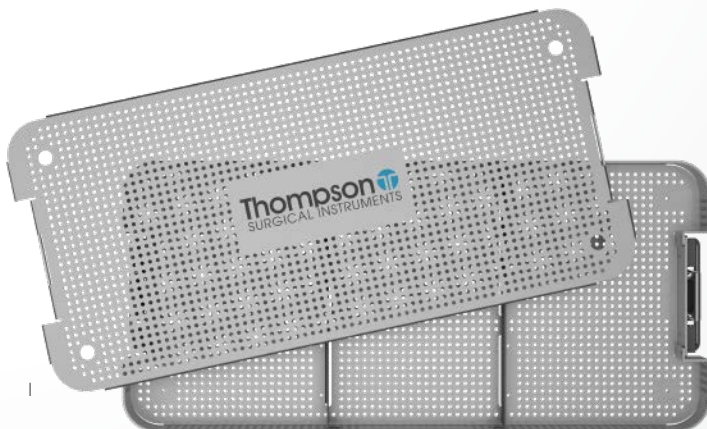
Instrument Cases



G



H



I

INSTRUMENT CASES

REF	PART #	ITEM DESCRIPTION
G	50000G	23" x 11" x 3 1/2"
H	50000BL	26" x 10" x 5"

ORGANIZED INSTRUMENT CASE

REF	PART #	ITEM DESCRIPTION
I	50000A3	Accessory - 3 Compartments 23" x 10 3/4" x 2 1/2"

COMPONENTS + ACCESSORIES

Thompson Retractor 

**Call 1-800-227-7543 or visit thompsonsurgical.com
today to request your Free Trial.**



INDEX

Product Index by Part Number 70-74

PART #	DESCRIPTION	PAGE	PART #	DESCRIPTION	PAGE
5844	Rail Extender 15" Single Clamp	59	44120N	Straight Arm 20"	61
40001MIS	MIS Retractor Lite LED Kit	48	44124N	Angled Arm 24" (8" x 16") @ 45°	60
40001MRL	Mini Retractor Lite LED Kit	16	44124W	Angled Arm 24" (11" x 13") @ 45°	60
40002MIS	MIS Retractor Lite LED	48	44126	Angled Arm 26" (6" x 20") @ 45°	60
40002MRL	Mini Retractor Lite LED	16	44223	Ring Extension 4"	30
40017	Lite Wand II Olympus Adapter	66	44224	Ring Frame Half 13 1/2"	30
40018	Lite Wand II Wolf Adapter	66	44229	Ring Extension Hinged 4"	30
40019	Lite Wand II Storz Adapter	66	44614LC	Extension Arm 14" with Cam Latch Mount	61
40020RX	Retractor Lite Xe with ACMI Cable	66	44615FH	14" Extension Arm with Fixed Hinge Joint	30
40020X	Lite Wand Xe	66	45752A	Nerve Root Retractor 90° 5mm x 123mm (1/4" x 4 7/8")	55
40024	Lite Clip - Single Use (Radiopaque)	66	45753A	Nerve Root Retractor 45° 8mm x 145mm (5/8" x 5 3/4")	55
40026MRL	Mini Retractor Lite LED - Lite Clip	16	45831	Dilator #1 - 7mm	40
41902ACL	Elite II Rail Clamp with 1 Joint 16"	40	45832	Dilator #2 - 12mm	40
41917	Rail Extender 14" Long with 2 1/4" Offset Dual Clamp	59	45833	Dilator #3 - 17mm	40
41927	Jackson Frame Adapter	59	45834	Dilator #4 - 21mm	40
41929	Rail Extender 22" Dual Clamp	59	45924L	Caudal/Cephalad Left 22mm x 40mm (7/8" x 1 1/2")	46
41938	Rail Extender 20" Single Clamp	59	45924R	Caudal/Cephalad Right 22mm x 40mm (7/8" x 1 1/2")	46
42100	Circle Joint 1/2" x 1/4"	30	45925L	Caudal/Cephalad Left 22mm x 50mm (7/8" x 2")	46
42125N	Slide-On Joint 1/2" x 1/4"	64	45925R	Caudal/Cephalad Right 22mm x 50mm (7/8" x 2")	46
42126NCP	Clip-On Joint 1/2" x 1/4"	64	45926L	Caudal/Cephalad Left 22mm x 60mm (7/8" x 2 3/8")	46
42138N	MIS Spine Frame Articulating Arm	40	45926R	Caudal/Cephalad Right 22mm x 60mm (7/8" x 2 3/8")	46
42140C	Flexible Blade Holder Cam	55	45927L	Caudal/Cephalad Left 22mm x 70mm (7/8" x 2 3/4")	46
42228	Manipulator Handle	17	45927R	Caudal/Cephalad Right 22mm x 70mm (7/8" x 2 3/4")	46
43900BC	Crossbar with 2 Cam III Joints 24" (11" x 13")	60	45928L	Caudal/Cephalad Left 22mm x 80mm (7/8" x 3 1/8")	46
43900BCW	Crossbar with 2 Cam III Joints 24" (8" x 16")	60	45928R	Caudal/Cephalad Right 22mm x 80mm (7/8" x 3 1/8")	46
43902AC	Elite III Rail Clamp with 1 Joint 18"	58	45929L	Caudal/Cephalad Left 22mm x 90mm (7/8" x 3 1/2")	46
43902ACL	Elite III Rail Clamp with 1 Joint 16"	58	45929R	Caudal/Cephalad Right 22mm x 90mm (7/8" x 3 1/2")	46
43902ACS	Elite III Rail Clamp with 1 Joint 11"	58	45930L	Caudal/Cephalad Left 22mm x 100mm (7/8" x 4")	46
43902IRC	Infinite Height Rail Clamp with 1 Cam III Joint	59	45930R	Caudal/Cephalad Right 22mm x 100mm (7/8" x 4")	46
43902S	Elite III Rail Clamp with 1 3/8" Joint 11"	58	45931L	Caudal/Cephalad Left 22mm x 110mm (7/8" x 4 3/8")	46
43903AC	Elite III Rail Clamp with 2 Joints 18"	58	45931R	Caudal/Cephalad Right 22mm x 110mm (7/8" x 4 3/8")	46
43903ACL	Elite III Rail Clamp with 2 Joints 16"	58	45932L	Caudal/Cephalad Left 22mm x 120mm (7/8" x 4 3/4")	46
43903IRC	Infinite Height Rail Clamp with 2 Cam III Joints	59	45932R	Caudal/Cephalad Right 22mm x 120mm (7/8" x 4 3/4")	46
43904AC	Elite III Rail Clamp with 1 Joint 22"	58	46519	Depth Gauge Anterior Cervical 157.5mm (6 1/4")	17
43905AC	Elite III Rail Clamp with 2 Joints 22"	58	47205T	1/4" Side Clip x 1/4" Slide with Thumb Screw	40
43906AC	Elite III Rail Clamp with 1 Joint 26"	58	47212	MIS Spine Frame U-Bar Add On	40
43907AC	Elite III Rail Clamp with 2 Joints 26"	58	47213	MIS Spine Frame L-Bar Add on	40
44012H	Extension Arm 12" with Spring Hinge Joint	61	50000A3	Instrument Case - Accessory - 3 Compartments (23" x 10 3/4" x 2 1/2")	67
44012N	Straight Arm 12"	61	50000ACT	Instrument Case - Anterior Cervical (22" x 11" x 3 1/2")	17
44014C	Extension Arm with Clip Joint 14"	61	50000ALR	Instrument Case - AL Renal Vein Blades (23" x 10 3/4" x 2 1/2")	39
44014HS	Extension Arm 12" with Hinge Joint	61	50000ALT	Instrument Case - Anterior Lumbar (22" x 11" x 3 1/2")	39
44014LC	Extension Arm 12" with Cam Latch Joint	61	50000BL	Instrument Case (26" x 10" x 5")	67
44014S	Angled Arm 12" (6" x 6")	61	50000EAC	Instrument Case - Expanded Cervical (23" x 10 3/4" x 2")	17
44016C	Extension Arm with Clip Joint 16"	61	50000ERL	Instrument Case - Expanded Reverse Lip (23 1/2" x 11" x 5 1/4")	39
44020C	Extension Arm with Clip Joint 20"	61	50000FV	Instrument Tray Insert - Fine Vessel Blades	39
44115	Hinged Extension Arm 12" x 12"	61	50000G	Instrument Case (23" x 11" x 3 1/2")	67
44117	Angled Arm 17" (10" x 7") @ 45° (3/8")	60	50000L	Instrument Tray Lid	39
44117N	Angled Arm 17" (7" x 10")	60	50000LW	Instrument Case (6 1/4" x 14" x 2 1/2")	16
44118C	Straight Arm with 1 Cam Joint 18"	61	50000MSF	Instrument Case - MIS Spine Frame (23 1/4" x 11" x 4 1/2")	49
44118N	Angled Arm 18" (8" x 10") @ 45°	60	50000PLA	Instrument Case - PLA (23 1/2" x 11" x 4")	49
44119	Angled Arm 19" (12" x 7") @ 45° (3/8")	60	50000RB	Instrument Tray Insert - Richardson Blades	39
44120	Angled Arm 20" (10" x 10") @ 45°	60	50000RLT	Instrument Case - Reverse Lip (22" x 11" x 3 1/2")	39
44120C	Straight Arm with 1 Cam Joint 20"	61	50000RV	Instrument Tray Insert - Renal Vein Blades	39

PART #	DESCRIPTION	PAGE	PART #	DESCRIPTION	PAGE
50000U1	Instrument Tray Base - 1 Level (23 ½" x 10 ¼" x 3").....	39	SL44373	Radiolucent Advanced MIS Fine Vessel 130mm (5 ½").....	33
50000UAC	Instrument Case - Cervical Blade (22" x 10" x 2 ½").....	17	SL44374	Radiolucent Advanced MIS Fine Vessel 140mm (5 ½").....	33
50000UACT	Instrument Case - Cervical Blade Tray (Insert for 50000UAC).....	17	SL44375	Radiolucent Advanced MIS Fine Vessel 150mm (5 ¾").....	33
51234	Suction for AL Surgery with SALS Tip Stylet.....	39	SL44376	Radiolucent Advanced MIS Fine Vessel 160mm (6 ¼").....	33
51236	Depth Gauge Anterior Lumbar 335mm (13 ½").....	39	SL44377	Radiolucent Advanced MIS Fine Vessel 170mm (6 ⅝").....	33
60008	MIS Spine Frame Right Arm.....	40	SL44378	Radiolucent Advanced MIS Fine Vessel 180mm (7").....	33
60009	MIS Spine Frame Left Arm.....	40	SL44379	Radiolucent Advanced MIS Fine Vessel 190mm (7 ½").....	33
60010	MIS Spine Frame Rack 200mm (7 ⅞").....	40	SL44380	Radiolucent Advanced MIS Fine Vessel 200mm (7 ⅞").....	33
60020	T-Handle.....	62	SL44410	Radio. Advanced MIS Reverse Tapered 20mm x 100mm (¾" x 4").....	33
60021	Hex Tool ⅜" with T-Handle.....	65	SL44412	Radio. Advanced MIS Reverse Tapered 20mm x 110mm (¾" x 4 ⅜").....	33
LLS-2000-2	LED Light Source.....	16,44	SL44414	Radio. Advanced MIS Reverse Tapered 20mm x 120mm (¾" x 4 ¾").....	33
SL42101	Dual Angle Handle.....	30	SL44416	Radio. Advanced MIS Reverse Tapered 20mm x 130mm (¾" x 5 ¼").....	33
SL42102	Free Angle Handle.....	30	SL44418	Radio. Advanced MIS Reverse Tapered 20mm x 140mm (¾" x 5 ½").....	33
SL42126WDP	Cam II Clip-On Dual Angle Handle 8".....	65	SL44420	Radio. Advanced MIS Reverse Tapered 20mm x 150mm (¾" x 5 ⅞").....	33
SL42126WFP	Cam II Clip-On Free Angle Handle 8".....	65	SL44422	Radio. Advanced MIS Reverse Tapered 20mm x 160mm (¾" x 6 ¼").....	33
SL42126WGLP	Cam II Clip-on Quick Angle 10".....	62	SL44424	Radio. Advanced MIS Reverse Tapered 20mm x 170mm (¾" x 6 ⅝").....	33
SL42126WGP	Cam II Clip-on Quick Angle 8".....	62	SL44426	Radio. Advanced MIS Reverse Tapered 20mm x 180mm (¾" x 7").....	33
SL42126WHP	Cam II Clip-on 8" (non-angling).....	62	SL44428	Radio. Advanced MIS Reverse Tapered 20mm x 190mm (¾" x 7 ½").....	33
SL42126WHLP	Cam II Clip-on 10" (non-angling).....	62	SL44430	Radio. Advanced MIS Reverse Tapered 20mm x 200mm (¾" x 7 ⅞").....	33
SL42127WGP	Cam II Clip-on Quick Angle 8" (⅞").....	62	SL44432	Radiolucent Concave 30mm x 60mm (1 ⅞" x 2 ⅜").....	32
SL42128G	Quick Angle Hand Held Adapter.....	64	SL45003G	Quick Angle Handle 6".....	40
SL42191G	Quick Angle Articulating Arm 15" x 15 ½".....	36	SL45003GS	Quick Angle Handle 8".....	64
SL44328	Radio. Advanced MIS 18mm Concave 25mm x 80mm (¾" x 3 ⅞").....	32	SL45003GSL	Quick Angle Handle 10".....	64
SL44329	Radio. Advanced MIS 18mm Concave 25mm x 90mm (¾" x 3 ½").....	32	SL45003L	Handle 8" (non-angling).....	64
SL44330	Radio. Advanced MIS 18mm Concave 25mm x 100mm (¾" x 4").....	32	SL45003LM	Handle 10" (non-angling).....	64
SL44331	Radio. Advanced MIS 18mm Concave 25mm x 110mm (¾" x 4 ⅜").....	32	SL45006CGP	Micro-Adjustable II Clip-on Quick Angle 10".....	63
SL44332	Radio. Advanced MIS 18mm Concave 25mm x 120mm (¾" x 4 ¾").....	32	SL45006CGRP	Micro-Adjustable II Clip-on Quick Angle 15".....	63
SL44333	Radio. Advanced MIS 18mm Concave 18mm x 130mm (¾" x 5 ¼").....	32	SL45006STCP	Micro-Adjustable II Clip-on 10 ¾" (non-angling).....	63
SL44334	Radio. Advanced MIS 18mm Concave 18mm x 140mm (¾" x 5 ½").....	32	SL45007CGP	Micro-Adjustable II Clip-on Quick Angle 7 ¾".....	63
SL44335	Radio. Advanced MIS 18mm Concave 18mm x 150mm (¾" x 5 ⅞").....	32	SL45007PGP	Micro-Adjustable II Clip-on Quick Angle 20".....	63
SL44336	Radio. Advanced MIS 18mm Concave 18mm x 160mm (¾" x 6 ¼").....	32	SL45007STCP	Micro-Adjustable II Clip-On 8 ¾" (non-angling).....	63
SL44337	Radio. Advanced MIS 18mm Concave 18mm x 170mm (¾" x 6 ⅝").....	32	SL45007STG	Micro-Adjustable II Slide-on Quick Angle 7 ¾".....	63
SL44338	Radio. Advanced MIS 18mm Concave 18mm x 180mm (¾" x 7").....	32	SL45011CGP	Mini Micro-Adjustable II Clip-on Quick Angle 9".....	63
SL44339	Radio. Advanced MIS 18mm Concave 18mm x 190mm (¾" x 7 ½").....	32	SL45012S	Interchangeable Head with ¼" Scissor.....	40
SL44340	Radio. Advanced MIS 18mm Concave 18mm x 200mm (¾" x 7 ⅞").....	32	SL45153A	Concave Medial 32mm x 70mm (1 ¼" x 2 ⅜").....	14
SL44348	Radiolucent Short Neck Renal 25mm x 80mm (1" x 3 ⅞").....	32	SL45154A	Concave Medial 38mm x 70mm (1 ½" x 2 ¾").....	14
SL44349	Radiolucent Short Neck Renal 25mm x 90mm (1" x 3 ½").....	32	SL45155A	Concave Medial 38mm x 85mm (1 ½" x 3 ⅞").....	14
SL44350	Radiolucent Short Neck Renal 25mm x 100mm (1" x 4").....	32	SL45160EB	Radiolucent Concave Longitudinal 23mm x 30mm (1" x 1 ¼").....	12
SL44351	Radiolucent Short Neck Renal 25mm x 110mm (1" x 4 ⅜").....	32	SL45161EB	Radiolucent Concave Longitudinal 23mm x 40mm (1" x 1 ½").....	12
SL44352	Radiolucent Short Neck Renal 25mm x 120mm (1" x 4 ¾").....	32	SL45162EB	Radiolucent Concave Longitudinal 23mm x 50mm (1" x 2").....	12
SL44353	Radiolucent Short Neck Renal 25mm x 130mm (1" x 5 ⅞").....	32	SL45163EB	Radiolucent Concave Longitudinal 23mm x 60mm (1" x 2 ⅝").....	12
SL44354	Radiolucent Short Neck Renal 25mm x 140mm (1" x 5 ½").....	32	SL45164EB	Radiolucent Concave Longitudinal 23mm x 70mm (1" x 2 ¾").....	12
SL44355	Radiolucent Short Neck Renal 25mm x 150mm (1" x 5 ⅞").....	32	SL45165EB	Radiolucent Concave Longitudinal 23mm x 80mm (1" x 3 ⅞").....	12
SL44356	Radiolucent Short Neck Renal 25mm x 160mm (1" x 6 ¼").....	32	SL45212A	Concave Medial 13mm x 50mm (½" x 2").....	14
SL44357	Radiolucent Short Neck Renal 25mm x 170mm (1" x 6 ⅝").....	32	SL45214A	Concave Medial 13mm x 75mm (½" x 3").....	14
SL44358	Radiolucent Short Neck Renal 25mm x 180mm (1" x 7").....	32	SL45216A	Concave Medial 13mm x 100mm (½" x 4").....	14
SL44359	Radiolucent Short Neck Renal 25mm x 190mm (1" x 7 ½").....	32	SL45222A	Concave Medial 19mm x 50mm (¾" x 2").....	14
SL44360	Radiolucent Short Neck Renal 25mm x 200mm (1" x 7 ⅞").....	32	SL45224A	Concave Medial 19mm x 75mm (¾" x 3").....	14
SL44368	Radiolucent Advanced MIS Fine Vessel 80mm (3 ⅞").....	33	SL45226A	Concave Medial 19mm x 100mm (¾" x 4").....	14
SL44369	Radiolucent Advanced MIS Fine Vessel 90mm (3 ½").....	33	SL45232A	Concave Medial 25mm x 50mm (1" x 2").....	14
SL44370	Radiolucent Advanced MIS Fine Vessel 100mm (4").....	33	SL45234A	Concave Medial 25mm x 75mm (1" x 3").....	14
SL44371	Radiolucent Advanced MIS Fine Vessel 110mm (4 ⅜").....	33	SL45236A	Concave Medial 25mm x 100mm (1" x 4").....	14
SL44372	Radiolucent Advanced MIS Fine Vessel 120mm (4 ¾").....	33	SL45600A	Meyering 16mm x 75mm (⅝" x 3").....	15

PART #	DESCRIPTION	PAGE	PART #	DESCRIPTION	PAGE
SL45600AT	Meyerding with Teeth 16mm x 75mm (5/8" x 3")	15	SL45750EB	Radiolucent Midline R 70mm x 83mm (2 3/4" x 3 1/4")	12
SL45601A	Meyerding 16mm x 100mm (5/8" x 4")	15	SL45751A	Midline L 70mm x 83mm (2 3/4" x 3 1/4")	12
SL45601AT	Meyerding with Teeth 16mm x 100mm (5/8" x 4")	15	SL45751EB	Radiolucent Midline L 70mm x 83mm (2 3/4" x 3 1/4")	12
SL45602A	Meyerding 25mm x 100mm (1" x 4")	15	SL45754A	Midline R 57mm x 83mm (2 1/4" x 3 1/4")	12
SL45602AT	Meyerding with Teeth 25mm x 100mm (1" x 4")	15	SL45755A	Midline L 57mm x 83mm (2 1/4" x 3 1/4")	12
SL45603A	Meyerding 25mm x 125mm (1" x 5")	15	SL45760A	Prong 75mm (3")	54
SL45603AT	Meyerding with Teeth 25mm x 125mm (1" x 5")	15	SL45761A	Prong 100mm (4")	54
SL45610A	Meyerding 25mm x 60mm (1" x 2 3/8")	15	SL45764	PLA Hook 40mm (1 1/2")	47
SL45610AT	Meyerding with Teeth 25mm x 60mm (1" x 2 3/8")	15	SL45765	PLA Hook 50mm (2")	47
SL45611A	Meyerding 25mm x 75mm (1" x 3")	15	SL45766	PLA Hook 60mm (2 3/8")	47
SL45611AT	Meyerding with Teeth 25mm x 75mm (1" x 3")	15	SL45767	PLA Hook 70mm (2 3/4")	47
SL45614A	Meyerding 16mm x 51mm (5/8" x 2")	15	SL45768	PLA Hook 80mm (3 1/8")	47
SL45614AT	Meyerding with Teeth 16mm x 51mm (5/8" x 2")	15	SL45769	PLA Hook 90mm (3 1/2")	47
SL45620A	Army Navy 13mm x 55mm (1/2" x 2 1/8")	15	SL45770	PLA Hook 100mm (4")	47
SL45621A	Army Navy 13mm x 65mm (1/2" x 2 5/8")	15	SL45771	PLA Hook 110mm (4 3/8")	47
SL45622A	Army Navy 13mm x 75mm (1/2" x 3 1/8")	15	SL45772	PLA Hook 120mm (4 3/4")	47
SL45624AT	Radiolucent MIS Tapered 15mm x 23mm x 35mm (5/8" x 1" x 1 3/8")	14	SL46115ET	Radiolucent Malleable 13mm x 64mm (1/2" x 2 1/2")	27
SL45625AT	Radiolucent MIS Tapered 15mm x 23mm x 40mm (5/8" x 1" x 1 1/2")	14	SL46116ET	Radiolucent Malleable 13mm x 152mm (1/2" x 6")	27
SL45626AT	Radiolucent MIS Tapered 15mm x 23mm x 45mm (5/8" x 1" x 1 3/4")	14	SL46117ET	Radiolucent Malleable 13mm x 203mm (1/2" x 8")	27
SL45627AT	Radiolucent MIS Tapered 15mm x 23mm x 50mm (5/8" x 1" x 2")	14	SL46118ET	Radiolucent Malleable 25mm x 203mm (1" x 8")	27
SL45628AT	Radiolucent MIS Tapered 15mm x 23mm x 55mm (5/8" x 1" x 2 1/8")	14	SL46118PET	Radiolucent Malleable 25mm x 102mm (1" x 4")	27
SL45629AT	Radiolucent MIS Tapered 15mm x 23mm x 60mm (5/8" x 1" x 2 3/8")	14	SL46118RET	Radio. Malleable Concave Round Neck Renal 25mm x 203mm (1" x 8")	25
SL45630AT	Radiolucent MIS Tapered 15mm x 23mm x 65mm (5/8" x 1" x 2 1/2")	14	SL46119B	Concave Round Neck Renal 25mm x 140mm (1" x 5 1/2")	25
SL45631AT	Radiolucent MIS Tapered 15mm x 23mm x 70mm (5/8" x 1" x 2 3/4")	14	SL46119BET	Radio. Malleable Concave Round Neck Renal 25mm x 140mm (1" x 5 1/2")	25
SL45632AT	Radiolucent MIS Tapered 15mm x 23mm x 75mm (5/8" x 1" x 3")	14	SL46119C	Concave Round Neck Renal 25mm x 191mm (1" x 7 1/2")	25
SL45639EB	Radiolucent Concave Tapered 23mm x 30mm (1" x 1 1/8")	13	SL46119CET	Radio. Malleable Concave Round Neck Renal 25mm x 190mm (1" x 7 1/2")	25
SL45639EBT	Radiolucent Concave Tapered with Teeth 23mm x 30mm (1" x 1 1/8")	13	SL46119RET	Radiolucent Long Neck Renal 25mm x 140mm (1" x 5 1/2")	25
SL45643EB	Radiolucent Concave Tapered 23mm x 35mm (1" x 1 3/8")	13	SL46120RET	Radiolucent Long Neck Renal 25mm x 190mm (1" x 7 1/2")	25
SL45643EBT	Radiolucent Concave Tapered with Teeth 23mm x 35mm (1" x 1 3/8")	13	SL46121RET	Radiolucent Long Neck Renal 25mm x 255mm (1" x 10")	25
SL45644EB	Radiolucent Concave Tapered 23mm x 40mm (1" x 1 1/2")	13	SL46122AET	Radiolucent Malleable 51mm x 254mm (2" x 10")	27
SL45644EBT	Radiolucent Concave Tapered with Teeth 23mm x 40mm (1" x 1 1/2")	13	SL46122ET	Radiolucent Malleable 51mm x 203mm (2" x 8")	27
SL45645EB	Radiolucent Concave Tapered 23mm x 45mm (3/4" x 1 3/8")	13	SL46122RET	Radiolucent Long Neck Renal 25mm x 305mm (1" x 12")	25
SL45645EBT	Radiolucent Concave Tapered with Teeth 23mm x 45mm (3/4" x 1 3/8")	13	SL46124ET	Radiolucent Malleable 64mm x 254mm (2 1/2" x 10")	27
SL45646EB	Radiolucent Concave Tapered 23mm x 50mm (1" x 2")	13	SL46125	Richardson 19mm x 25mm (3/4" x 1")	14
SL45646EBT	Radiolucent Concave Tapered with Teeth 23mm x 50mm (1" x 2")	13	SL46125A	Richardson 19mm x 51mm (3/4" x 2")	14
SL45647EB	Radiolucent Concave Tapered 23mm x 55mm (1" x 2 1/8")	13	SL46126	Richardson 25mm x 32mm (1" x 1 1/4")	14
SL45647EBT	Radiolucent Concave Tapered with Teeth 23mm x 55mm (1" x 2 1/8")	13	SL46140ET	Radiolucent Balfour [with lips] 65mm x 72mm (2 1/2" x 2 3/4")	26
SL45648EB	Radiolucent Concave Tapered 23mm x 60mm (1" x 2 3/8")	13	SL46141ET	Radiolucent Balfour [with lips] 83mm x 70mm (3 1/4" x 2 3/4")	26
SL45648EBT	Radiolucent Concave Tapered with Teeth 23mm x 60mm (1" x 2 3/8")	13	SL46142EB	Radiolucent Balfour [with lips] 32mm x 32mm (1 1/4" x 1 1/4") [Anodized]	26
SL45649EB	Radiolucent Concave Tapered 23mm x 65mm (1" x 2 1/2")	13	SL46142ET	Radiolucent Balfour [with lips] 32mm x 32mm (1 1/4" x 1 1/4")	26
SL45649EBT	Radiolucent Concave Tapered with Teeth 23mm x 65mm (1" x 2 1/2")	13	SL46142PEB	Radiolucent Balfour [with lips] 51mm x 51mm (2" x 2") [Anodized]	26
SL45650EB	Radiolucent Concave Tapered 23mm x 70mm (1" x 2 3/4")	13	SL46145ET	Radiolucent Splanchnic 51mm x 115mm (2" x 4 1/2")	27
SL45650EBT	Radiolucent Concave Tapered with Teeth 23mm x 70mm (1" x 2 3/4")	13	SL46146ET	Radiolucent Splanchnic 51mm x 152mm (2" x 6")	27
SL45651EB	Radiolucent Concave Tapered 23mm x 75mm (1" x 3")	13	SL46147ET	Radiolucent Splanchnic 51mm x 203mm (2" x 8")	27
SL45651EBT	Radiolucent Concave Tapered with Teeth 23mm x 75mm (1" x 3")	13	SL46148ET	Radiolucent Splanchnic 25mm x 152mm (1" x 6")	27
SL45652EB	Radiolucent Concave Tapered 23mm x 80mm (1" x 3 1/8")	13	SL46149ET	Radiolucent Splanchnic 25mm x 203mm (1" x 8")	27
SL45652EBT	Radiolucent Concave Tapered with Teeth 23mm x 80mm (1" x 3 1/8")	13	SL46160ET	Radiolucent Harrington 64mm x 152mm (2 1/2" x 6")	27
SL45656A	Malleable 25mm x 110mm (1" x 4 1/2")	14	SL46163ET	Radiolucent Harrington 64mm x 203mm (2 1/2" x 8")	27
SL45656AT	Radiolucent Malleable 25mm x 110mm (1" x 4 1/2")	14, 27	SL46164ET	Radiolucent Harrington 64mm x 254mm (2 1/2" x 10")	27
SL45657A	Malleable 13mm x 90mm (1/2" x 3 1/2")	14	SL46165ET	Radiolucent Harrington 64mm x 102mm (2 1/2" x 4")	27
SL45657AT	Radiolucent Malleable 13mm x 90mm (1/2" x 3 1/2")	14, 27	SL46170ET	Radiolucent Deaver 25mm x 127mm (1" x 5")	26
SL45666EB	Radiolucent Odontoid 20mm x 90mm (3/4" x 3 1/2")	12	SL46172ET	Radiolucent Deaver 38mm x 127mm (1 1/2" x 5")	26
SL45750A	Midline R 70mm x 83mm (2 3/4" x 3 1/4")	12	SL46174ET	Radiolucent Deaver 51mm x 127mm (2" x 5")	26

PART #	DESCRIPTION	PAGE	PART #	DESCRIPTION	PAGE
SL46176ET	Radiolucent Deaver 76mm x 127mm (3" x 5").....	26	SL46322EB	Radiolucent Concave Lateral 23mm x 60mm (1" x 2 3/8")	12
SL46178ET	Radiolucent Deaver 100mm x 127mm (4" x 5").....	26	SL46322EBT	Radiolucent Concave Lateral with Teeth 23mm x 60mm (1" x 2 3/8").....	12
SL46192ET	Radiolucent Reverse Lip Malleable 25mm x 200mm (1" x 7 7/8").....	24	SL46324EB	Radiolucent Concave Lateral 23mm x 65mm (1" x 2 1/2")	12
SL46193ET	Radiolucent Reverse Lip Malleable 32mm x 200mm (1 1/4" x 7 7/8").....	24	SL46324EBT	Radiolucent Concave Lateral with Teeth 23mm x 65mm (1" x 2 1/2").....	12
SL46258RET	Radiolucent Reverse Lip 25mm x 80mm (1" x 3 1/8").....	24	SL46326EB	Radiolucent Concave Lateral 23mm x 70mm (1" x 2 3/4")	12
SL46259RET	Radiolucent Reverse Lip 25mm x 90mm (1" x 3 1/2").....	24	SL46326EBT	Radiolucent Concave Lateral with Teeth 23mm x 70mm (1" x 2 3/4")	12
SL46260RET	Radiolucent Reverse Lip 25mm x 100mm (1" x 4")	24	SL46328EB	Radiolucent Concave Lateral 23mm x 75mm (1" x 3")	12
SL46260TET	Radiolucent Reverse Lip Tapered 25mm x 100mm (1" x 4").....	24	SL46328EBT	Radiolucent Concave Lateral with Teeth 23mm x 75mm (1" x 3")	12
SL46261RET	Radiolucent Reverse Lip 25mm x 110mm (1" x 4 3/8")	24	SL46330EB	Radiolucent Concave Lateral 23mm x 80mm (1" x 3 1/8")	12
SL46262RET	Radiolucent Reverse Lip 25mm x 120mm (1" x 4 3/4")	24	SL46330EBT	Radiolucent Concave Lateral with Teeth 23mm x 80mm (1" x 3 1/8")	12
SL46263RET	Radiolucent Reverse Lip 25mm x 130mm (1" x 5 1/8")	24	SL46420ET	Radiolucent Richardson 50mm x 40mm (2" x 1 1/2").....	27
SL46264RET	Radiolucent Reverse Lip 25mm x 140mm (1" x 5 1/2")	24	SL46422ET	Radiolucent Richardson 50mm x 60mm (2" x 2 3/8")	27
SL46265RET	Radiolucent Reverse Lip 25mm x 150mm (1" x 5 7/8").....	24	SL46424ET	Radiolucent Richardson 50mm x 80mm (2" x 3 1/8")	27
SL46265TET	Radiolucent Reverse Lip Tapered 25mm x 150mm (1" x 5 7/8").....	24	SL46426ET	Radiolucent Richardson 50mm x 100mm (2" x 4").....	27
SL46266RET	Radiolucent Reverse Lip 25mm x 160mm (1" x 6 1/4").....	24	SL46428ET	Radiolucent Richardson 50mm x 120mm (2" x 4 3/4").....	27
SL46267RET	Radiolucent Reverse Lip 25mm x 170mm (1" x 6 5/8").....	24	SL46430ET	Radiolucent Richardson 50mm x 140mm (2" x 5 1/2").....	27
SL46268RET	Radiolucent Reverse Lip 25mm x 180mm (1" x 7")	24	SL46432ET	Radiolucent Richardson 50mm x 160mm (2" x 6 1/4").....	27
SL46269RET	Radiolucent Reverse Lip 25mm x 190mm (1" x 7 1/2")	24	SL46434ET	Radiolucent Richardson 50mm x 180mm (2" x 7").....	27
SL46270RET	Radiolucent Reverse Lip 25mm x 200mm (1" x 7 7/8")	24	SL46436ET	Radiolucent Richardson 50mm x 200mm (2" x 7 7/8")	27
SL46270TET	Radiolucent Reverse Lip Tapered 25mm x 200mm (1" x 7 7/8")	24	SL46437ET	Radiolucent Richardson 50mm x 210mm (2" x 8 1/4").....	27
SL46271RET	Radiolucent Reverse Lip 25mm x 210mm (1" x 8 1/4").....	24	SL46438ET	Radiolucent Richardson 50mm x 220mm (2" x 8 5/8")	27
SL46272RET	Radiolucent Reverse Lip 25mm x 220mm (1" x 8 5/8").....	24	SL46439ET	Radiolucent Richardson 50mm x 230mm (2" x 9").....	27
SL46273RET	Radiolucent Reverse Lip 25mm x 230mm (1" x 9").....	24	SL46440ET	Radiolucent Richardson 50mm x 240mm (2" x 9 1/2").....	27
SL46274RET	Radiolucent Reverse Lip 25mm x 240mm (1" x 9 1/2").....	24	SL46441ET	Radiolucent Richardson 50mm x 250mm (2" x 9 7/8")	27
SL46275RET	Radiolucent Reverse Lip 25mm x 250mm (1" x 9 7/8").....	24	SL46508EB	Radiolucent Concave Micro 14mm x 30mm (1/2" x 1 1/8")	13
SL46275TET	Radiolucent Reverse Lip Tapered 25mm x 250mm (1" x 9 7/8")	24	SL46508EBT	Radiolucent Concave Micro with Teeth 14mm x 30mm (1/2" x 1 1/8")	13
SL46280RET	Radiolucent Reverse Lip 32mm x 100mm (1 1/4" x 4")	24	SL46510EB	Radiolucent Concave Micro 14mm x 35mm (1/2" x 1 3/8")	13
SL46281RET	Radiolucent Reverse Lip 32mm x 110mm (1 1/4" x 4 3/8").....	24	SL46510EBT	Radiolucent Concave Micro with Teeth 14mm x 35mm (1/2" x 1 3/8")	13
SL46282RET	Radiolucent Reverse Lip 32mm x 120mm (1 1/4" x 4 3/4")	24	SL46512EB	Radiolucent Concave Micro 14mm x 40mm (1/2" x 1 1/2")	13
SL46283RET	Radiolucent Reverse Lip 32mm x 130mm (1 1/4" x 5 1/8").....	24	SL46512EBT	Radiolucent Concave Micro with Teeth 14mm x 40mm (1/2" x 1 1/2").....	13
SL46284RET	Radiolucent Reverse Lip 32mm x 140mm (1 1/4" x 5 1/2")	24	SL46514EB	Radiolucent Concave Micro 14mm x 45mm (1/2" x 1 1/2")	13
SL46285RET	Radiolucent Reverse Lip 32mm x 150mm (1 1/4" x 5 7/8")	24	SL46514EBT	Radiolucent Concave Micro with Teeth 14mm x 45mm (1/2" x 1 1/2").....	13
SL46286RET	Radiolucent Reverse Lip 32mm x 160mm (1 1/4" x 6 1/4")	24	SL46516EB	Radiolucent Concave Micro 14mm x 50mm (1/2" x 2")	13
SL46287RET	Radiolucent Reverse Lip 32mm x 170mm (1 1/4" x 6 5/8").....	24	SL46516EBT	Radiolucent Concave Micro with Teeth 14mm x 50mm (1/2" x 2").....	13
SL46288RET	Radiolucent Reverse Lip 32mm x 180mm (1 1/4" x 7")	24	SL46518EB	Radiolucent Concave Micro 14mm x 55mm (1/2" x 2 1/8")	13
SL46289RET	Radiolucent Reverse Lip 32mm x 190mm (1 1/4" x 7 1/2")	24	SL46518EBT	Radiolucent Concave Micro with Teeth 14mm x 55mm (1/2" x 2 1/8")	13
SL46290RET	Radiolucent Reverse Lip 32mm x 200mm (1 1/4" x 7 7/8")	24	SL46520EB	Radiolucent Concave Micro 14mm x 60mm (1/2" x 2 3/8")	13
SL46291RET	Radiolucent Reverse Lip 32mm x 210mm (1 1/4" x 8 1/4")	24	SL46520EBT	Radiolucent Concave Micro with Teeth 14mm x 60mm (1/2" x 2 3/8")	13
SL46292RET	Radiolucent Reverse Lip 32mm x 220mm (1 1/4" x 8 5/8")	24	SL46523EB	Radiolucent Concave Micro 14mm x 65mm (1/2" x 2 1/2")	13
SL46293RET	Radiolucent Reverse Lip 32mm x 230mm (1 1/4" x 9")	24	SL46523EBT	Radiolucent Concave Micro with Teeth 14mm x 65mm (1/2" x 2 1/2").....	13
SL46294RET	Radiolucent Reverse Lip 32mm x 240mm (1 1/4" x 9 1/2")	24	SL46524EB	Radiolucent Concave Micro 14mm x 70mm (1/2" x 2 3/4")	13
SL46295RET	Radiolucent Reverse Lip 32mm x 250mm (1 1/4" x 9 7/8")	24	SL46524EBT	Radiolucent Concave Micro with Teeth 14mm x 70mm (1/2" x 2 3/4").....	13
SL46310EB	Radiolucent Concave Lateral 23mm x 30mm (1" x 1 1/8")	12	SL46526EB	Radiolucent Concave Micro 14mm x 75mm (1/2" x 3")	13
SL46312EB	Radiolucent Concave Lateral 23mm x 35mm (1" x 1 3/8")	12	SL46526EBT	Radiolucent Concave Micro with Teeth 14mm x 75mm (1/2" x 3").....	13
SL46312EBT	Radiolucent Concave Lateral with Teeth 23mm x 35mm (1" x 1 3/8")	12	SL46528EB	Radiolucent Concave Micro 14mm x 80mm (1/2" x 3 1/8").....	13
SL46314EB	Radiolucent Concave Lateral 23mm x 40mm (1" x 1 1/2")	12	SL46528EBT	Radiolucent Concave Micro with Teeth 14mm x 80mm (1/2" x 3 1/8")	13
SL46314EBT	Radiolucent Concave Lateral with Teeth 23mm x 40mm (1" x 1 1/2")	12	SL46558	Radiolucent Concave Short Neck Renal 25mm x 80mm (1" x 3 1/8")	25
SL46316EB	Radiolucent Concave Lateral 23mm x 45mm (1" x 1 3/4")	12	SL46559	Radiolucent Concave Short Neck Renal 25mm x 90mm (1" x 3 1/2")	25
SL46316EBT	Radiolucent Concave Lateral with Teeth 23mm x 45mm (1" x 1 3/4")	12	SL46560	Radiolucent Concave Short Neck Renal 25mm x 100mm (1" x 4")	25
SL46318EB	Radiolucent Concave Lateral 23mm x 50mm (1" x 2")	12	SL46561	Radiolucent Concave Short Neck Renal 25mm x 110mm (1" x 4 3/8")	25
SL46318EBT	Radiolucent Concave Lateral with Teeth 23mm x 50mm (1" x 2")	12	SL46562	Radiolucent Concave Short Neck Renal 25mm x 120mm (1" x 4 3/4")	25
SL46320EB	Radiolucent Concave Lateral 23mm x 55mm (1" x 2 1/8")	12	SL46563	Radiolucent Concave Short Neck Renal 25mm x 130mm (1" x 5 1/8")	25
SL46320EBT	Radiolucent Concave Lateral with Teeth 23mm x 55mm (1" x 2 1/8").....	12	SL46564	Radiolucent Concave Short Neck Renal 25mm x 140mm (1" x 5 1/2")	25

PART #	DESCRIPTION	PAGE	PART #	DESCRIPTION	PAGE
SL46565	Radiolucent Concave Short Neck Renal 25mm x 150mm (1" x 5 7/8")	25	SO45677ATTC	Radiolucent Posterior Lumbar 45mm x 120mm (1 3/4" x 4 3/4")	54
SL46566	Radiolucent Concave Short Neck Renal 25mm x 160mm (1" x 6 1/4")	25	SO45678ATTC	Radiolucent Posterior Lumbar 60mm x 120mm (2 3/8" x 4 3/4")	54
SL46567	Radiolucent Concave Short Neck Renal 25mm x 170mm (1" x 6 5/8")	25	SO45679ATTC	Radiolucent Posterior Lumbar 23mm x 150mm (7/8" x 5 7/8")	54
SL46568	Radiolucent Concave Short Neck Renal 25mm x 180mm (1" x 7")	25	SO45680ATTC	Radiolucent Posterior Lumbar 45mm x 150mm (1 3/4" x 5 7/8")	54
SL46569	Radiolucent Concave Short Neck Renal 25mm x 190mm (1" x 7 1/2")	25	SO45681ATTC	Radiolucent Posterior Lumbar 60mm x 150mm (2 3/8" x 5 7/8")	54
SL46570	Radiolucent Concave Short Neck Renal 25mm x 200mm (1" x 7 7/8")	25	SO45682ATTC	Radiolucent Posterior Lumbar 23mm x 180mm (7/8" x 7")	54
SL46571	Radiolucent Concave Short Neck Renal 25mm x 210mm (1" x 8 1/4")	25	SO45683ATTC	Radiolucent Posterior Lumbar 45mm x 180mm (1 3/4" x 7")	54
SL46572	Radiolucent Concave Short Neck Renal 25mm x 220mm (1" x 8 5/8")	25	SO45684ATTC	Radiolucent Posterior Lumbar 60mm x 180mm (2 3/8" x 7")	54
SL46573	Radiolucent Concave Short Neck Renal 25mm x 230mm (1" x 9")	25	SO46124AET	Radiolucent Malleable 76mm x 254mm (3" x 10")	27
SL46574	Radiolucent Concave Short Neck Renal 25mm x 240mm (1" x 9 1/2")	25	SO46124BET	Radiolucent Malleable 102mm x 254mm (4" x 10")	27
SL46575	Radiolucent Concave Short Neck Renal 25mm x 250mm (1" x 9 7/8")	25	SO46140CEB	Radiolucent Balfour [small lips] 65mm x 72mm (2 1/2" x 2 3/4") [Anodized]	26
SL46604ATT	PLA Medial/Lateral with Fine Teeth 13 1/2mm x 40mm (1/2" x 1 1/2")	47	SO46140CET	Radiolucent Balfour [small lips] 65mm x 72mm (2 1/2" x 2 3/4")	26
SL46605ATT	PLA Medial/Lateral with Fine Teeth 13 1/2mm x 50mm (1/2" x 2")	47	SO46140EB	Radiolucent Balfour [with lips] 65mm x 72mm (2 1/2" x 2 3/4") [Anodized]	26
SL46606ATT	PLA Medial/Lateral with Fine Teeth 13 1/2mm x 60mm (1/2" x 2 3/8")	47	SO46140ET	Radiolucent Balfour [with lips] 65mm x 72mm (2 1/2" x 2 3/4")	26
SL46607ATT	PLA Medial/Lateral with Fine Teeth 13 1/2mm x 70mm (1/2" x 2 3/4")	47	SO46141CEB	Radiolucent Balfour [small lips] 83mm x 70mm (3 1/4" x 2 3/4") [Anodized]	26
SL46608ATT	PLA Medial/Lateral with Fine Teeth 13 1/2mm x 80mm (1/2" x 3 1/8")	47	SO46141CET	Radiolucent Balfour [small lips] 83mm x 70mm (3 1/4" x 2 3/4")	26
SL46609ATT	PLA Medial/Lateral with Fine Teeth 13 1/2mm x 90mm (1/2" x 3 1/2")	47	SO46141DEB	Radiolucent Balfour [with lips] 83mm x 127mm (3 1/4" x 5") [Anodized]	26
SL46610ATT	PLA Medial/Lateral with Fine Teeth 13 1/2mm x 100mm (1/2" x 4")	47	SO46141DET	Radiolucent Balfour [with lips] 83mm x 127mm (3 1/4" x 5")	26
SL46611ATT	PLA Medial/Lateral with Fine Teeth 13 1/2mm x 110mm (1/2" x 4 3/8")	47	SO46141EB	Radiolucent Balfour [with lips] 83mm x 70mm (3 1/4" x 2 3/4") [Anodized]	26
SL46612ATT	PLA Medial/Lateral with Fine Teeth 13 1/2mm x 120mm (1/2" x 4 3/4")	47	SO46141ET	Radiolucent Balfour [with lips] 83mm x 70mm (3 1/4" x 2 3/4")	26
SL46704AT	PLA Medial/Lateral with Lip 13 1/2mm x 40mm (1/2" x 1 1/2")	46	SO46160ET	Radiolucent Harrington 64mm x 152mm (2 1/2" x 6")	27
SL46705AT	PLA Medial/Lateral with Lip 13 1/2mm x 50mm (1/2" x 2")	46	SO46175ET	Radiolucent Deaver 64mm x 127mm (2 1/2" x 5")	26
SL46706AT	PLA Medial/Lateral with Lip 13 1/2mm x 60mm (1/2" x 2 3/8")	46	SO46176ET	Radiolucent Deaver 76mm x 127mm (3" x 5")	26
SL46707AT	PLA Medial/Lateral with Lip 13 1/2mm x 70mm (1/2" x 2 3/4")	46	SO46178ET	Radiolucent Deaver 100mm x 127mm (4" x 5")	26
SL46708AT	PLA Medial/Lateral with Lip 13 1/2mm x 80mm (1/2" x 3 1/8")	46			
SL46709AT	PLA Medial/Lateral with Lip 13 1/2mm x 90mm (1/2" x 3 1/2")	46			
SL46710AT	PLA Medial/Lateral with Lip 13 1/2mm x 100mm (1/2" x 4")	46			
SL46711AT	PLA Medial/Lateral with Lip 13 1/2mm x 110mm (1/2" x 4 3/8")	46			
SL46712AT	PLA Medial/Lateral with Lip 13 1/2mm x 120mm (1/2" x 4 3/4")	46			
SL82019	Anterior Lumbar System	22-23			
SL82020	Posterior Lumbar System	52-53			
SL82021	MIS PLA® System	44-45			
SL82023	Anterior Lumbar Ring System	30-31			
SL82025	Cervical System	10-11			
SL82026	AL Advanced MIS Blade Kit	30-31			
SL82048	Anterior Lumbar Articulating Arm System	36-37			
SO45612A	Meyerding 51mm x 60mm (2" x 2 3/8")	15			
SO45612AET	Radiolucent Meyerding 51mm x 60mm (2" x 2 3/8")	15			
SO45612AETT	Radiolucent Meyerding with Teeth 51mm x 60mm (2" x 2 3/8")	15			
SO45612AT	Meyerding with Teeth 51mm x 60mm (2" x 2 3/8")	15			
SO45613A	Meyerding 51mm x 75mm (2" x 3")	15			
SO45613AT	Meyerding with Teeth 51mm x 75mm (2" x 3")	15			
SO45615A	Meyerding 51mm x 100mm (2" x 4")	15			
SO45615AT	Meyerding with Teeth 51mm x 100mm (2" x 4")	15			
SO45616A	Meyerding 51mm x 125mm (2" x 5")	15			
SO45616AT	Meyerding with Teeth 51mm x 125mm (2" x 5")	15			
SO45670ATTC	Radiolucent Posterior Lumbar 23mm x 80mm (7/8" x 3 1/8")	54			
SO45671ATTC	Radiolucent Posterior Lumbar 45mm x 80mm (1 3/4" x 3 1/8")	54			
SO45672ATTC	Radiolucent Posterior Lumbar 60mm x 80mm (2 3/8" x 3 1/8")	54			
SO45673ATTC	Radiolucent Posterior Lumbar 23mm x 100mm (7/8" x 4")	54			
SO45674ATTC	Radiolucent Posterior Lumbar 45mm x 100mm (1 3/4" x 4")	54			
SO45675ATTC	Radiolucent Posterior Lumbar 60mm x 100mm (2 3/8" x 4")	54			
SO45676ATTC	Radiolucent Posterior Lumbar 23mm x 120mm (7/8" x 4 3/4")	54			

This page intentionally left blank

For a Free Trial Call Today*

1.800.227.7543

Rev E
051622
mg spinecat



Uncompromised Exposure

VISIT US ONLINE: THOMPSONSURGICAL.COM

CONTACT

Address

Thompson Surgical Instruments, Inc.
10341 E Cherry Bend Rd.
Traverse City, MI 49684
USA

Phone + Fax

Toll Free 1-800-227-7543
Phone 231-922-0177
Fax 231-922-0174

Online

Email contact@thompsonsurgical.com
Website www.thompsonsurgical.com

Social



Thompson
SURGICAL INSTRUMENTS

Made In
USA

* Free trial valid for U.S. customers only. Customers outside the U.S.A., please call +1-231-922-0177 for availability.

© 2022 Thompson Surgical Instruments, Inc. Printed in U.S.A.

© S-Lock®, PLA®, and the "T Circle" logomark are Registered Trademarks of Thompson Surgical Instruments, Inc.
Patents: trpat.com

Note: As we continually strive to provide the best products possible, some of the images in this document may appear slightly different from the product received.